

Ranges

Combining function and modern simplicity, Bosch ranges lighten the day's burden to serve as the kitchen's daily companion. German engineered for precision and reliability, they perform tirelessly to bring ease and joy to cooking. Our gas, dual-fuel, induction and electric ranges offer a multitude of ways to cook, with a variety of features that lend speed and efficiency. Now routine tasks like preheating, boiling water and sliding pots are suddenly made more effortless. The oven features Genuine European Convection to cook faster, while innovative cooking methods like induction make cooking easier. Now routine tasks like preheating, boiling water and sliding pots are suddenly made more effortless. With a simple slide-in design and sleek, uncomplicated aesthetic, Bosch ranges are designed to feed both body and mind.



Benchmark® Ranges

Bosch slide-in ranges are available in induction, electric, gas or dual-fuel.



Slide-in design

Our convenient, slide-in design lends an instant, built-in look to any kitchen.



QuietClose® door

Our QuietClose® doors never slam shut, instead closing smoothly and effortlessly for stress-free cooking.



Genuine European Convection

The dual-fuel, electric and induction ovens feature Genuine European convection for even baking results on all three racks.

Induction



Faster, more efficient cooking

Induction offers faster cooking and more precise temperature control, resulting in greater speed and efficiency.

Electric



Flexible cooking options

With 5 burners, including a 12" 3,000-watt triple-ring heating element, our Benchmark® electric range gives you the ultimate flexibility when cooking.

Gas / Dual-Fuel



Dual-stacked burner

Our gas and dual-fuel ranges feature a powerful 20,000 BTU center, dual-stacked burner that delivers faster boiling and low simmering for greater cooking flexibility.



Benchmark® Induction Slide-in Range



HIIP055U (Induction)

- Full-Depth Slide-in Range
- Innovative Induction Technology Offers Precise, Fast and Efficient Cooking
- FlexInduction®
- + PowerMove
- QuietClose® Door
- SpeedBoost®
- Temperature Probe
- Warming Drawer
- 4.6 cu. ft.

Induction

Stainless Steel – HIIP055U

General Properties

Cooking modes	Bake, Variable Broil (Hi & Low), Roast, Warm, Proof Dough, Convection Bake, Convection Broil, Convection Roast, Multi-Rack Genuine European Convection, Convection Conversion, Pizza, Temperature Probe, Fast Preheat, Sabbath
Cleaning type	Self clean
Knob material	N/A
Interior lights	2
Kitchen timer	Yes
Drawer type	Warming drawer

Oven Performance

Bake / broil element watts (W)	2,400 / 3,800 W
Convection element watts (W)	2,000 W

Element Performance

Total number of cooktop elements	4
Power of front left element watts (W)	2,200 W (3,600 w/boost)
Power of back left element watts (W)	2,200 W (3,600 w/boost)
Power of center element watts (W)	N/A
Power of back right element watts (W)	2,600 W (3,700 w/boost)
Power of front right element watts (W)	1,400 W (2,200 w/boost)

Element Size

Dimension of FlexInduction® zone	16" x 9"
Dimension of front left heating element	8" x 9"
Dimension of back left heating element	8" x 9"
Dimension of center heating element	N/A
Dimension of back right heating element	11"
Dimension of front right heating element	6"

Technical Details

Watts (W)	11,700 / 14,000 W
Circuit breaker (A)	40 A
Volts (V); Frequency (Hz)	208 V / 240 V; 60 Hz
Plug type / Cord length (in.)	N/A / N/A
Energy source	Electric

Dimensions & Weight

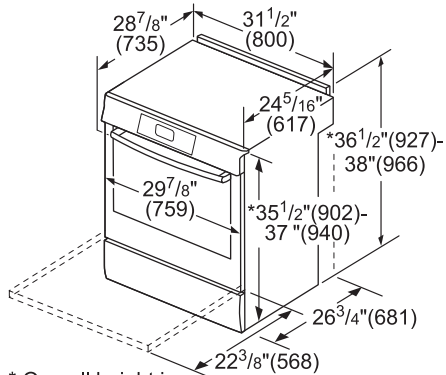
Overall appliance dimensions (HxWxD) (in.)	35 1/2" – 37" x 31 1/2" x 28 7/8"
Required cutout size (HxWxD) (in.)	35 1/2" – 37" x 30" x 25"
Adjustable range height (in.)	1 1/2"
Oven cavity size (cu. ft.)	4.6
Overall oven interior dimensions (HxWxD) (in.)	17 13/16" x 24 1/8" x 18"
Usable oven interior dimensions (HxWxD) (in.)	12 5/16" x 23 1/4" x 15 1/4"
Net weight (lbs)	248 lbs

Accessories – Included

Included	Use and care manual, installation guide, temperature probe, 2 standard racks, 1 telescopic rack
----------	---

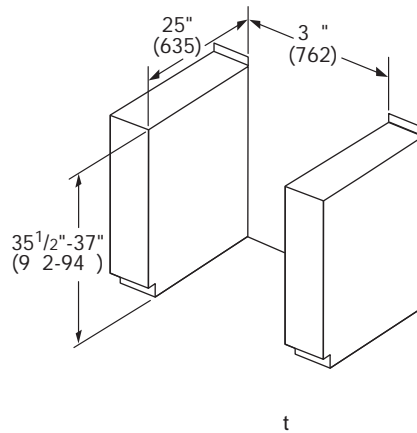
Benchmark® Induction Slide-in Range

Induction Range Dimensions

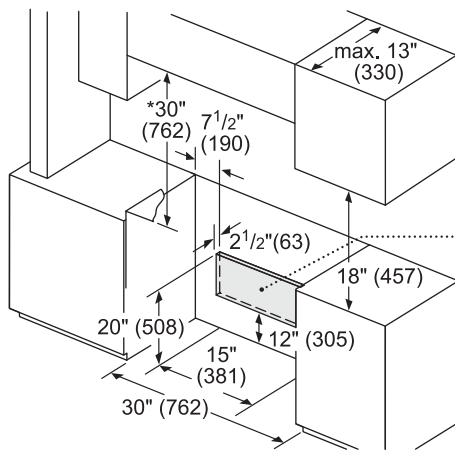


* Overall height is adjustable via leveling legs.
 measurements in inches (mm)

Induction Range Cutout Dimensions



Induction Range Installation



* Minimum clearance of 30" required to overhead combustible surface. If installing overhead vent or over-the-range microwave, refer to clearances provided with these products.

208/240v Electrical Outlet Location

Measurements in inches (mm)

Optional Accessories



HEZTR301
30" Telescopic Rack



HEZBS301
4" Low Backguard



HEZ390210
8" AutoChef® Pan
for 6" Element



HEZ390220
9" AutoChef® Pan
for 7" Element



HEZ390230
10" AutoChef® Pan
for 8" and 9" Elements

Benchmark® Electric Slide-in Range



HEIP054U (Electric)

- Full-Depth Slide-in Range
- 12" 3,000-Watt Triple-Ring Element
- 9.5" 3,200- / 1100-Watt Versatile Element
- 4 Elements + 1 Warming Zone
- QuietClose® Door
- Telescopic Rack
- Temperature Probe
- Warming Drawer
- 4.6 cu. ft.

Electric

Stainless Steel – HEIP054U

General Properties

Cooking modes	Bake, Variable Broil (Hi & Low), Roast, Warm, Proof Dough, Convection Bake, Convection Broil, Convection Roast, Multi-Rack Genuine European Convection, Convection Conversion, Pizza, Temperature Probe, Fast Preheat, Sabbath
Cleaning type	Self clean
Knob material	Metal
Interior lights	2
Kitchen timer	Yes
Drawer type	Warming drawer

Oven Performance

Bake / broil element watts (W)	2,400 / 3,800 W
Convection element watts (W)	2,000 W

Element Performance

Total number of cooktop elements	5
Power of front left element watts (W)	1,050 / 1,950 / 3,000 W
Power of back left element watts (W)	1,200 W
Power of center element watts (W)	100 W
Power of back right element watts (W)	1,200 W
Power of front right element watts (W)	1,100 / 3,200 W

Element Size

Dimension of FlexInduction® zone	N/A
Dimension of front left heating element	6" / 9" / 12"
Dimension of back left heating element	6"
Dimension of center heating element	6"
Dimension of back right heating element	6"
Dimension of front right heating element	9.5"

Technical Details

Watts (W)	11,300 / 14,800 W
Circuit breaker (A)	40 A
Volts (V); Frequency (Hz)	208 V / 240 V; 60 Hz
Plug type / Cord length (in.)	N/A / N/A
Energy source	Electric

Dimensions & Weight

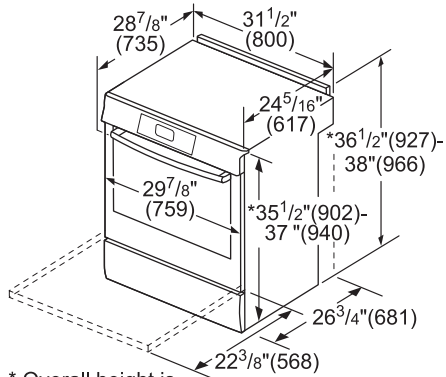
Overall appliance dimensions (HxWxD) (in.)	35 1/2" – 37" x 31 1/2" x 28 7/8"
Required cutout size (HxWxD) (in.)	35 1/2" – 37" x 30" x 25"
Adjustable range height (in.)	1 1/2"
Oven cavity size (cu. ft.)	4.6
Overall oven interior dimensions (HxWxD) (in.)	17 13/16" x 24 1/8" x 18"
Usable oven interior dimensions (HxWxD) (in.)	12 5/16" x 23 1/4" x 15 1/4"
Net weight (lbs)	248 lbs

Accessories – Included

Included	Use and care manual, installation guide, temperature probe, 2 standard racks, 1 telescopic rack
----------	---

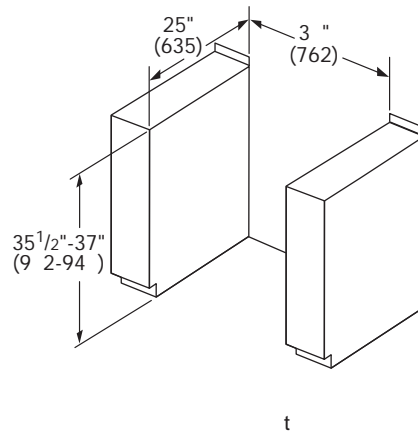
Benchmark® Electric Slide-in Range

Electric Range Dimensions

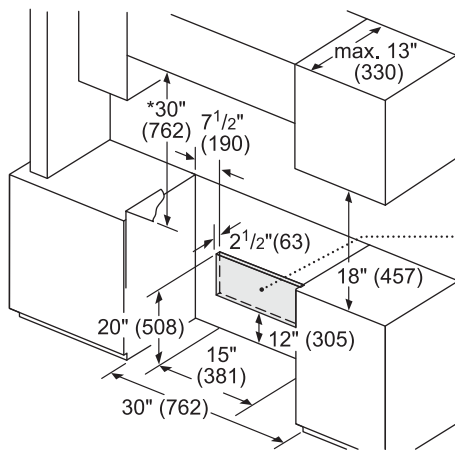


* Overall height is adjustable via leveling legs.
 measurements in inches (mm)

Electric Range Cutout Dimensions



Electric Range Installation



* Minimum clearance of 30" required to overhead combustible surface. If installing overhead vent or over-the-range microwave, refer to clearances provided with these products.

208/240v Electrical Outlet Location

Measurements in inches (mm)

Optional Accessories



HEZTR301
30" Telescopic Rack



HEZBS301
4" Low Backguard



HEZ390210
8" AutoChef® Pan for 6" Element



HEZ390220
9" AutoChef® Pan for 7" Element



HEZ390230
10" AutoChef® Pan for 8" and 9" Elements

Benchmark® Dual-Fuel Slide-in Range



HDIP054U (Dual-Fuel)

- Full-Depth Slide-in Range
- 5 Burners
- 20,000 BTU Dual-Stacked Burner
- Multi-Rack Genuine European Convection
- QuietClose® Door
- Telescopic Rack
- Temperature Probe
- Warming Drawer
- 4.6 cu. ft.

Dual-Fuel

Stainless Steel – HDIP054U

General Properties

Cooking modes	Bake, Variable Broil (Hi & Low), Roast, Warm, Proof Dough, Convection Bake, Convection Broil, Convection Roast, Multi-Rack Genuine European Convection, Convection Conversion, Pizza, Temperature Probe, Fast Preheat, Sabbath
Cleaning type	Self clean
Type of grate	Cast iron
Knob material	Metal
Interior light	2
Kitchen timer	Yes
Drawer type	Warming drawer
Sealed burners	Yes

Oven Performance

Bake / broil burner power BTU	N/A
Bake / broil element watts (W)	2,400 W / 3,800 W
Convection element watts (W)	2,000 W

Burner Performance

Total number of cooktop burners	5
Total cooktop (NG / LP) BTU	55,000 / 48,500
Power of front left burner (NG / LP) BTU	10,000 / 8,000
Power of back left burner (NG / LP) BTU	5,000 / 5,000
Power of center burner (NG / LP) BTU	20,000 / 17,000
Power of back right burner (NG / LP) BTU	5,000 / 5,000
Power of front right burner (NG / LP) BTU	15,000 / 13,500

Technical Details

Watts (W)	4,800 / 6,400 W
Circuit breaker (A)	30 A
Volts (V)	208 V / 240 V
Frequency (Hz)	60 Hz
Plug type	N/A
Cord length (in.)	N/A
Energy source	Mixed electric / gas
Gas type	Natural gas 15 mbar (USA)
Alternative gas type	LP 27, 5 mbar (USA)

Dimensions & Weight

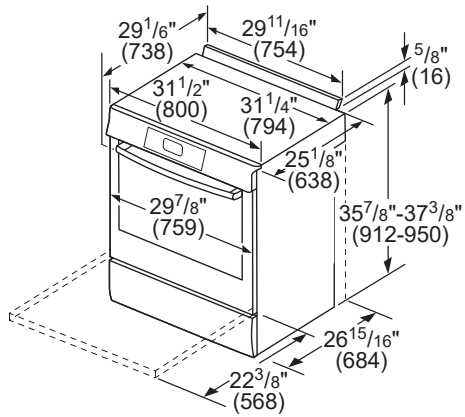
Overall appliance dimensions (HxWxD) (in.)	36 1/2" – 37" x 31 1/2" x 29 1/8"
Required cutout size (HxWxD) (in.)	35 1/2" – 37" x 30" x 25 1/8"
Adjustable range height (in.)	1 1/2"
Oven cavity size (cu. ft.)	4.6
Overall oven interior dimensions (HxWxD) (in.)	17 13/16" x 24 1/8" x 18"
Usable oven interior dimensions (HxWxD) (in.)	12 5/16" x 23 1/4" x 15 1/4"
Net weight (lbs)	243 lbs

Accessories – Included

Included	Use and care manual, installation guide, temperature probe, LP conversion kit, 2 standard racks, 1 telescopic rack
----------	--

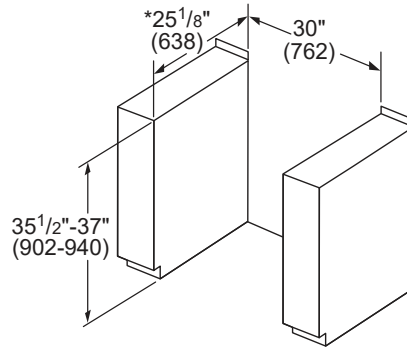
Benchmark® Dual-Fuel Slide-in Range

Dual-Fuel Range Dimensions



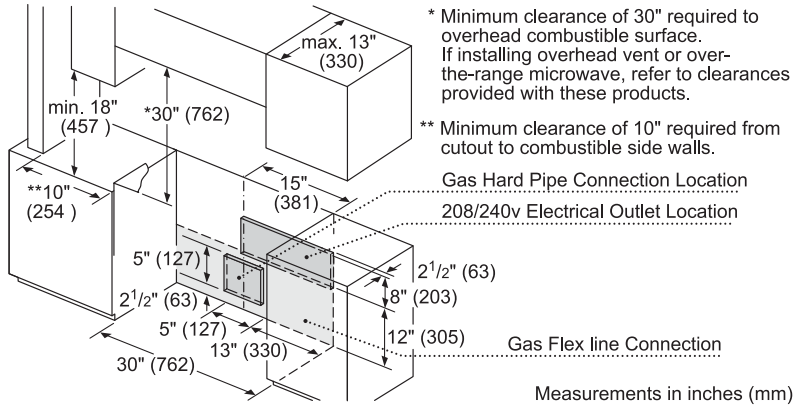
measurements in inches (mm)

Dual-Fuel Range Cutout Dimensions



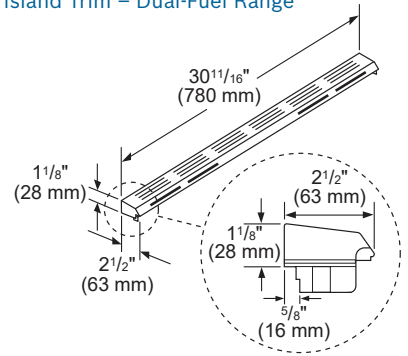
measurements in inches (mm)

Dual-Fuel Range Installation



Measurements in inches (mm)

Island Trim – Dual-Fuel Range



Measurements in inches

Optional Accessories



HEZTR301
30" Telescopic Rack



HDZBS301
4" Low Backguard, Dual-Fuel



HEZGR301
Griddle



HEZ298102
Wok Ring



HDZIT301
Island Trim for Island Applications, Dual-Fuel

Benchmark® Gas Slide-in Range



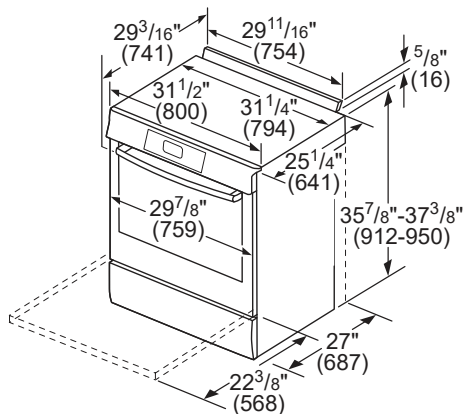
HGIP054UC (Gas)

- Full-Depth Slide-in Range
- 5 Burners
- 20,000 BTU Dual-Stacked Burner
- QuietClose® Door
- Telescopic Rack
- Temperature Probe
- Warming Drawer
- 4.8 cu. ft.

Gas	
Stainless Steel – HGIP054UC	
General Properties	
Cooking modes	Bake, Variable Broil (Hi & Low), Roast, Warm, Proof Dough, Convection Bake, Convection Roast, Convection Conversion, Pizza, Temperature Probe, Sabbath
Cleaning type	Self clean
Type of grate	Cast iron
Knob material	Metal
Interior light	2
Kitchen timer	Yes
Drawer type	Warming drawer
Sealed burners	Yes
Oven Performance	
Bake / broil burner power BTU	18,000 / 12,500 BTU
Bake / broil element watts (W)	N/A
Convection element watts (W)	N/A
Burner Performance	
Total number of cooktop burners	5
Total cooktop (NG / LP) BTU	55,000 / 48,500
Power of front left burner (NG / LP) BTU	10,000 / 8,000
Power of back left burner (NG / LP) BTU	5,000 / 5,000
Power of center burner (NG / LP) BTU	20,000 / 17,000
Power of back right burner (NG / LP) BTU	5,000 / 5,000
Power of front right burner (NG / LP) BTU	15,000 / 13,500
Technical Details	
Watts (W)	N/A
Circuit breaker (A)	15 A
Volts (V)	120 V
Frequency (Hz)	60 Hz
Plug type	US 3-prong
Cord length (in.)	78"
Energy source	Gas
Gas type	Natural gas 15 mbar (USA)
Alternative gas type	LP 27, 5 mbar (USA)
Dimensions & Weight	
Overall appliance dimensions (HxWxD) (in.)	36 1/2" – 37" x 31 1/2" x 29 3/16"
Required cutout size (HxWxD) (in.)	35 1/2" – 37" x 30" x 25 1/4"
Adjustable range height (in.)	1 1/2"
Oven cavity size (cu. ft.)	4.8
Overall oven interior dimensions (HxWxD) (in.)	17 13/16" x 24 1/8" x 18"
Usable oven interior dimensions (HxWxD) (in.)	11 1/2" x 23 1/4" x 15 1/4"
Net weight (lbs)	243 lbs
Accessories – Included	
Included	Use and care manual, installation guide, temperature probe, LP conversion kit, 2 standard racks, 1 telescopic rack

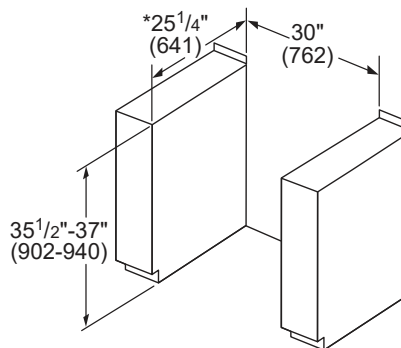
Benchmark® Gas Slide-in Range

Gas Range Dimensions



measurements in inches (mm)

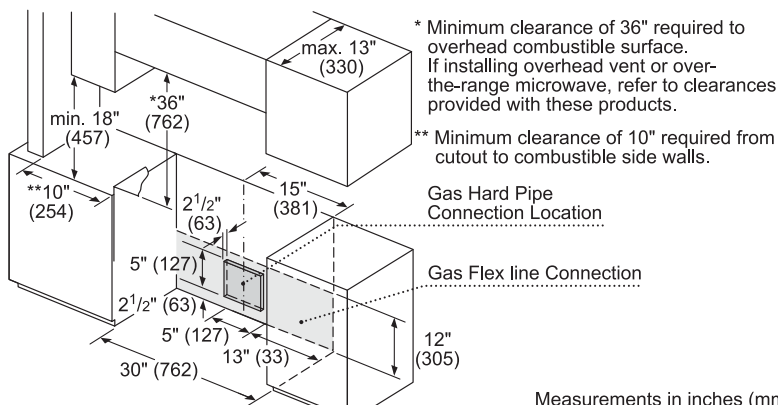
Gas Range Cutout Dimensions



*For island installation with island trim (HGZIT301), use a cutout depth of 25 3/8 inches (645)

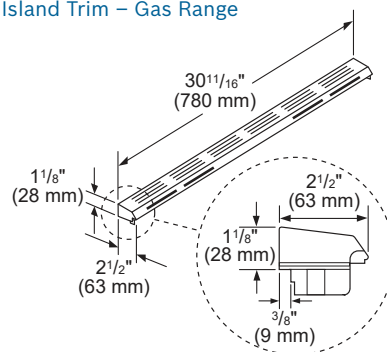
measurements in inches (mm)

Gas Range Installation



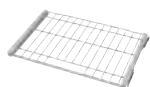
Measurements in inches (mm)

Island Trim – Gas Range



Measurements in inches

Optional Accessories



HEZTR301
30" Telescopic Rack



HGZBS301
4" Low Backguard, Gas



HEZGR301
Griddle



HEZ298102
Wok Ring



HGZIT301
Island Trim for Island Applications, Gas

800 Series Induction & Electric Slide-in Ranges



HII8055U (Induction)

- Full-Depth Slide-in Range
- Innovative Induction Technology Offers Precise, Fast and Efficient Cooking
- AutoChef®
- QuietClose® Door
- SpeedBoost®
- Temperature Probe
- Warming Drawer
- 4.6 cu. ft.



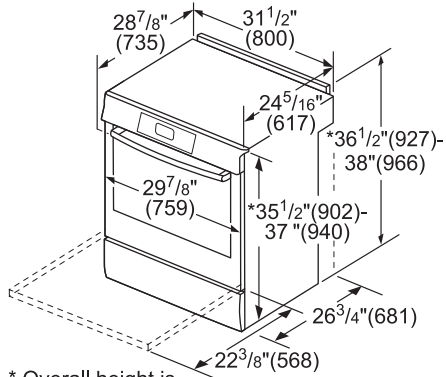
HEI8054U

- Full-Depth Slide-in Range
- 6" / 9" 3,000-Watt Dual-Ring Element
- 9.5" 3,200- / 1100-Watt Versatile Element
- 4 Elements + 1 Warming Zone
- Warming Drawer
- 4.6 cu. ft.

	Induction	Electric
	Stainless Steel – HII8055U	Stainless Steel – HEI8054U
General Properties		
Cooking modes	Bake, Variable Broil (Hi & Low), Roast, Warm, Proof Dough, Convection Bake, Convection Broil, Convection Roast, Multi-Rack Genuine European Convection, Convection Conversion, Pizza, Temperature Probe, Fast Preheat, Sabbath	Bake, Variable Broil (Hi & Low), Roast, Warm, Proof Dough, Convection Bake, Convection Broil, Convection Roast, Multi-Rack Genuine European Convection, Convection Conversion, Pizza, Fast Preheat, Sabbath
Cleaning type	Self clean	Self clean
Knob material	N/A	Metal
Interior light	1	1
Kitchen timer	Yes	Yes
Drawer type	Warming drawer	Warming drawer
Oven Performance		
Bake / broil element watts (W)	2,400 / 3,800 W	2,400 / 3,800 W
Convection element watts (W)	2,000 W	2,000 W
Element Performance		
Total number of cooktop elements	4	5
Power of front left element watts (W)	1,400 W (2,200 w/boost)	1,400 / 3,000 W
Power of back left element watts (W)	2,200 W (3,700 w/boost)	1,200 W
Power of center element watts (W)	N/A	100 W
Power of back right element watts (W)	2,600 W (3,700 w/boost)	1,200 W
Power of front right element watts (W)	1,400 W (2,200 w/boost)	1,100 / 3,200 W
Element Size		
Dimension of front left heating element	6"	6" / 9"
Dimension of back left heating element	9"	6"
Dimension of center heating element	N/A	6"
Dimension of back right heating element	11"	6"
Dimension of front right heating element	6"	9.5"
Technical Details		
Watts (W)	11,700 / 14,000 W	11,300 / 14,800 W
Circuit breaker (A)	40 A	40 A
Volts (V); Frequency (Hz)	208 V / 240 V; 60 Hz	208 V / 240 V; 60 Hz
Plug type	N/A	N/A
Cord length (in.)	N/A	N/A
Energy source	Electric	Electric
Dimensions & Weight		
Overall appliance dimensions (HxWxD) (in.)	35 1/2" – 37" x 31 1/2" x 28 7/8"	35 1/2" – 37" x 31 1/2" x 28 7/8"
Required cutout size (HxWxD) (in.)	35 1/2" – 37" x 30" x 25"	35 1/2" – 37" x 30" x 25"
Adjustable range height (in.)	1 1/2"	1 1/2"
Oven cavity size (cu. ft.)	4.6	4.6
Overall oven interior dimensions (HxWxD) (in.)	17 13/16" x 24 1/8" x 18"	17 13/16" x 24 1/8" x 18"
Usable oven interior dimensions (HxWxD) (in.)	12 5/16" x 23 1/4" x 15 1/4"	12 5/16" x 23 1/4" x 15 1/4"
Net weight (lbs)	248 lbs	248 lbs
Accessories – Included		
Included	Use and care manual, installation guide, temperature probe, 3 standard racks	Use and care manual, installation guide, 3 standard racks

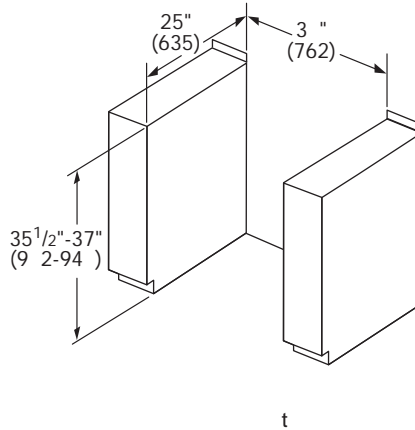
800 Series Induction & Electric Slide-in Ranges

Induction & Electric Range Dimensions

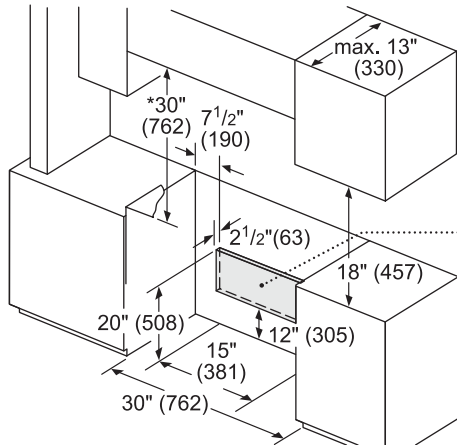


* Overall height is adjustable via leveling legs.
 measurements in inches (mm)

Induction & Electric Range Cutout Dimensions



Induction & Electric Range Installation



* Minimum clearance of 30" required to overhead combustible surface. If installing overhead vent or over-the-range microwave, refer to clearances provided with these products.

208/240v Electrical Outlet Location

Measurements in inches (mm)

Optional Accessories



HEZTR301
30" Telescopic Rack



HEZBS301
4" Low Backguard,
Electric And Induction



HEZ390210
8" AutoChef® Pan
for 6" Element



HEZ390220
9" AutoChef® Pan
for 7" Element



HEZ390230
10" AutoChef® Pan
for 8" and 9" Elements

800 Series Dual-Fuel Slide-in Range



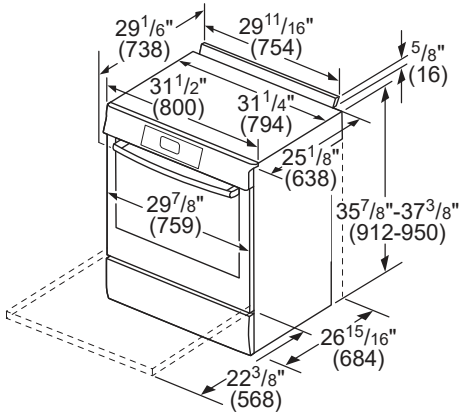
HDI8054U (Dual-Fuel)

- Full-Depth Slide-in Range
- 18,000 BTU Burner
- 5 Burners
- Multi-Rack Genuine European Convection
- Temperature Probe
- Warming Drawer
- 4.6 cu. ft.

Dual-Fuel	
Stainless Steel – HDI8054U	
General Properties	
Cooking modes	Bake, Variable Broil (Hi & Low), Roast, Warm, Proof Dough, Convection Bake, Convection Broil, Convection Roast, Multi-Rack Genuine European Convection, Convection Conversion, Pizza, Temperature Probe, Fast Preheat, Sabbath
Cleaning type	Self clean
Type of grate	Cast iron
Knob material	Metal
Interior light	1
Kitchen timer	Yes
Drawer type	Warming drawer
Sealed burners	Yes
Oven Performance	
Bake / broil burner power BTU	N/A
Bake / broil element watts (W)	2,400 / 3,800 W
Convection element watts (W)	2,000 W
Burner Performance	
Total number of cooktop burners	5
Total cooktop (NG / LP) BTU	53,000 / 44,000
Power of front left burner (NG / LP) BTU	10,000 / 8,000
Power of back left burner (NG / LP) BTU	5,000 / 5,000
Power of center burner (NG / LP) BTU	18,000 / 12,500
Power of back right burner (NG / LP) BTU	5,000 / 5,000
Power of front right burner (NG / LP) BTU	15,000 / 13,500
Technical Details	
Watts (W)	4,800 / 6,400 W
Circuit breaker (A)	30 A
Volts (V)	208 V / 240 V
Frequency (Hz)	60 Hz
Plug type	N/A
Cord length (in.)	N/A
Energy source	Mixed electric / gas
Gas type	Natural gas 15 mbar (USA)
Alternative gas type	LP 27, 5 mbar (USA)
Dimensions & Weight	
Overall appliance dimensions (HxWxD) (in.)	36 1/2" – 37" x 31 1/2" x 29 1/8"
Required cutout size (HxWxD) (in.)	35 1/2" – 37" x 30" x 25 1/8"
Adjustable range height (in.)	1 1/2"
Oven cavity size (cu. ft.)	4.6
Overall oven interior dimensions (HxWxD) (in.)	17 13/16" x 24 1/8" x 18"
Usable oven interior dimensions (HxWxD) (in.)	12 5/16" x 23 1/4" x 15 1/4"
Net weight (lbs)	243 lbs
Accessories – Included	
Included	Use and care manual, installation guide, temperature probe, LP conversion kit, 3 standard racks

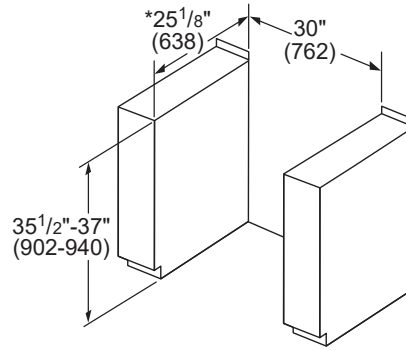
800 Series Dual-Fuel Slide-in Range

Dual-Fuel Range Dimensions



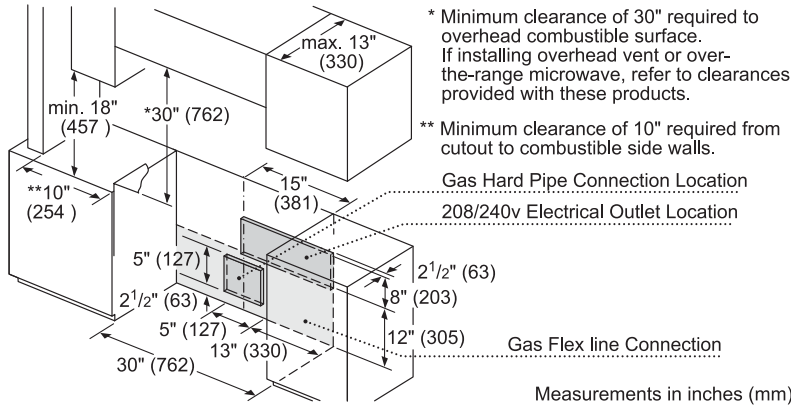
measurements in inches (mm)

Dual-Fuel Cutout Dimensions



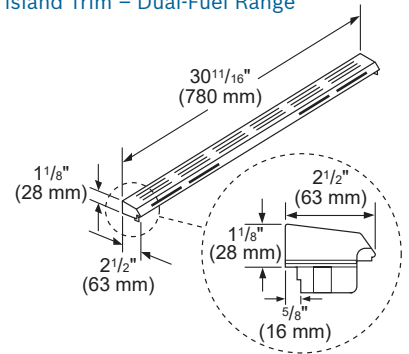
measurements in inches (mm)

Dual-Fuel Range Installation



Measurements in inches (mm)

Island Trim – Dual-Fuel Range



Measurements in inches

Optional Accessories



HEZTR301
30" Telescopic Rack



HDZBS301
4" Low Backguard, Dual-Fuel



HEZGR301
Griddle



HEZ298102
Wok Ring



HDZIT301
Island Trim for Island Applications, Dual-Fuel

800 Series Gas Slide-in Range



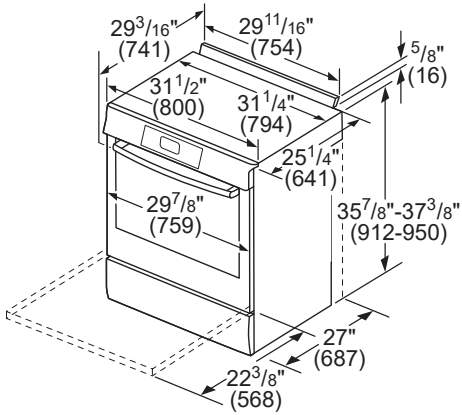
HGI8054UC (Gas)

- Full-Depth Slide-in Range
- 18,000 BTU Burner
- 5 Burners
- Warming Drawer
- 4.8 cu. ft.

Gas	
Stainless Steel – HGI8054UC	
General Properties	
Cooking modes	Bake, Variable Broil (Hi & Low), Roast, Warm, Proof Dough, Convection Bake, Convection Roast, Convection Conversion, Pizza, Sabbath
Cleaning type	Self clean
Type of grate	Cast iron
Knob material	Metal
Interior light	1
Kitchen timer	Yes
Drawer type	Warming drawer
Sealed burners	Yes
Oven Performance	
Bake / broil burner power BTU	18,000 / 12,500 BTU
Bake / broil element watts (W)	N/A
Convection element watts (W)	N/A
Burner Performance	
Total number of cooktop burners	5
Total cooktop (NG / LP) BTU	53,000 / 46,500
Power of front left burner (NG / LP) BTU	10,000 / 8,000
Power of back left burner (NG / LP) BTU	5,000 / 5,000
Power of center burner (NG / LP) BTU	18,000 / 15,000
Power of back right burner (NG / LP) BTU	5,000 / 5,000
Power of front right burner (NG / LP) BTU	15,000 / 13,500
Technical Details	
Watts (W)	N/A
Circuit breaker (A)	15 A
Volts (V)	120 V
Frequency (Hz)	60 Hz
Plug type	US 3-prong
Cord length (in.)	78"
Energy source	Gas
Gas type	Natural gas 15 mbar (USA)
Alternative gas type	LP 27, 5 mbar (USA)
Dimensions & Weight	
Overall appliance dimensions (HxWxD) (in.)	36 1/2" – 37" x 31 1/2" x 29 3/16"
Required cutout size (HxWxD) (in.)	35 1/2" – 37" x 30" x 25 1/4"
Adjustable range height (in.)	1 1/2"
Oven cavity size (cu. ft.)	4.8
Overall oven interior dimensions (HxWxD) (in.)	17 13/16" x 24 1/8" x 18"
Usable oven interior dimensions (HxWxD) (in.)	11 1/2" x 23 1/4" x 15 1/4"
Net weight (lbs)	243 lbs
Accessories – Included	
Included	Use and care manual, installation guide, LP conversion kit, 3 standard racks

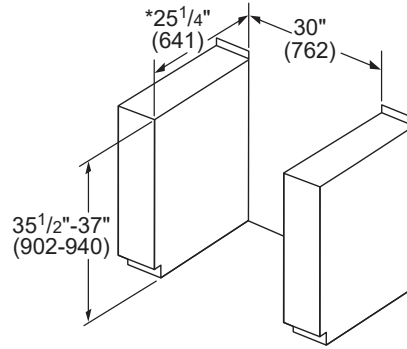
800 Series Gas Slide-in Range

Gas Range Dimensions



measurements in inches (mm)

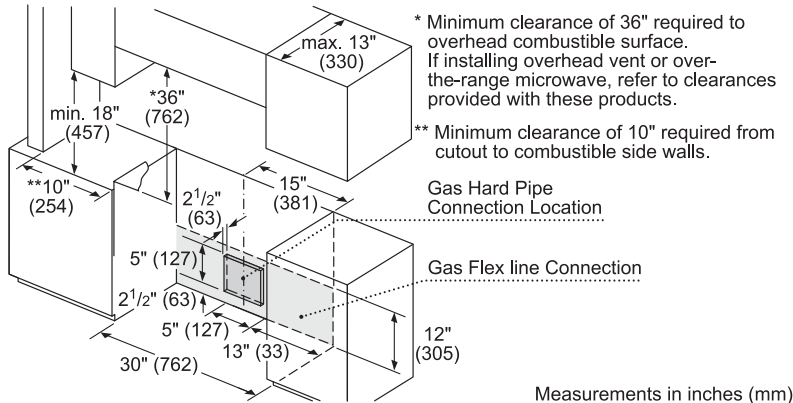
Gas Cutout Dimensions



*For island installation with island trim (HGZIT301), use a cutout depth of 25 3/8 inches (645 mm)

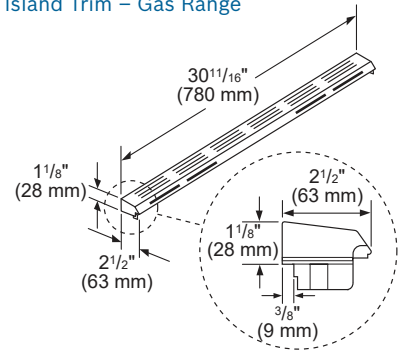
measurements in inches (mm)

Gas Range Installation



Measurements in inches (mm)

Island Trim – Gas Range



Measurements in inches

Optional Accessories



HEZTR301
30" Telescopic Rack



HGZBS301
4" Low Backguard, Gas



HEZGR301
Griddle



HEZ298102
Wok Ring



HGZIT301
Island Trim for Island Applications, Gas

Ventilation

Bosch's inventive ventilation systems keep mealtime fresh by quietly purifying the air while you cook. They're beautifully designed to seamlessly integrate into any kitchen with under-the-cabinet, chimney, island, pull-out and downdraft styles. These trusted, easy-to-clean ventilation systems come with automated features to make maintenance and operation a breeze. You'll breathe easier knowing that smoke, steam, grease and odors are quietly and effectively taken care of.





Benchmark® Ventilation



Modern design

Sculpted in steel and glass, our Benchmark® wall mounted chimney hoods add style and sophistication to the kitchen. No matter your needs, Bosch has an elegant solution.



Quiet

The Benchmark® glass canopy chimney hood is only 2.5 sones at the lowest setting, so you can enjoy peaceful cooking with no distracting noise.



Powerful ventilation

With 600 CFM of power, our Benchmark® glass canopy chimney wall hood meets the ventilation requirements of any Bosch cooktop or range, and can convert to recirculation for installations that are hard to duct or for areas with make up air restrictions. These highly effective vents quickly clear the air of grease, steam, smoke, and odor.














Ventilation Selection Guide

✓ = Design Match

✓ = Viable Option

		Cooktops			
					
		24-Inch Electric	30-Inch Electric & Induction	36-Inch Electric & Induction	24-Inch Gas
Chimney Wall Hoods					
	24-Inch HCP34E51UC	✓			✓
	30-Inch HCP30E51UC	✓	✓		✓
	30-Inch HCP30651UC		✓		
	30-Inch HCB50651UC		✓		
	36-Inch HCG56651UC		✓	✓	
	36-Inch HCP36E51UC		✓	✓	
	36-Inch HCP36651UC		✓	✓	
	36-Inch HCB56651UC		✓	✓	
Under-Cabinet Range Hoods					
	30-Inch DUH30152UC	✓	✓		✓
	30-Inch DUH30252UC		✓		
	30-Inch DPH30652UC		✓		
	36-Inch DUH36152UC		✓	✓	
	36-Inch DUH36252UC		✓	✓	
	36-Inch DPH36652UC		✓	✓	
Island Hood					
	42-Inch HIB82651UC		✓	✓	
Custom Insert Hoods					
	21-Inch HUI31451UC	✓			✓
	29-Inch DHL755BUC	✓	✓		✓
Downdrafts					
	30-Inch DHD3014UC		✓		
	36-Inch DHD3614UC			✓	
Pull-Out Hoods					
	24-Inch HUI54451UC	✓			✓
	30-Inch HUI50351UC	✓	✓		✓
	36-Inch HUI56551UC		✓	✓	

Ventilation Selection Guide

Cooktops		Slide-In Ranges			
30-Inch Gas	36-Inch Gas	Induction	Electric	Dual-Fuel	Gas
✓		✓	✓	✓	✓
✓		✓	✓	✓	✓
✓		✓	✓	✓	✓
✓	✓	✓	✓	✓	✓
✓	✓	✓	✓	✓	✓
✓	✓	✓	✓	✓	✓
✓	✓	✓	✓	✓	✓
✓		✓	✓	✓	✓
✓		✓	✓	✓	✓
✓		✓	✓	✓	✓
✓	✓	✓	✓	✓	✓
✓	✓	✓	✓	✓	✓
✓	✓	✓	✓	✓	✓
✓	✓	✓	✓	✓	✓
✓		✓	✓	✓	✓
	✓				
✓		✓	✓	✓	✓
✓	✓	✓	✓	✓	✓

Benchmark® Chimney Wall Hood



36" Benchmark®
Glass Canopy Chimney Hood
HCG56651UC

- 600 CFM
- 2 Halogen Lights
- Stainless Steel Filters with Metal Latch
- 9 ft.–11.5 ft. Duct Cover Extension Accessory

36" Glass Canopy Chimney Hood

Stainless Steel – HCG56651UC

General Properties

Operating mode	Convertible: ducted / recirculating
Maximum CFM	600 CFM
Sones	10.13 HS / 2.46 WS
Number of speed settings	4-stage
Motor location	Integrated motor in hood chimney
Number of lights	2
Bulb type	Halogen
Total power of the lamps (W)	80 W
Damper included	Yes
Grease filter material	Washable stainless steel
Grease filter type	Multilayer cassette

Technical Details

Volts (V)	120 V
Frequency (Hz)	60 Hz
Plug type	No plug

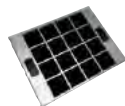
Dimensions & Weight

Overall appliance dimensions (width of canopy included) (HxWxD) (in.)	27 7/16" x 42 3/8" / 27 7/16" x 46 5/16" / 35 7/8" x 19 11/16"
Height of the chimney (in.)	25 7/8" x 40 13/16" / 25 7/8" x 44 3/4"
Required distance above cooktop / range cooking surface	24" Electric / 30" Gas
Diameter of air duct (in.) top	8"
Net weight (lbs)	54 lbs

Optional Accessories



HCGEXT5UC
Chimney Extension for
9–11.5 ft. Ceilings for
Use with HCG56651UC



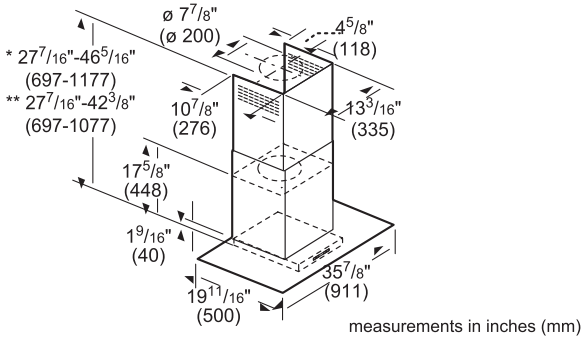
HCIFILTUC
Filter Kit



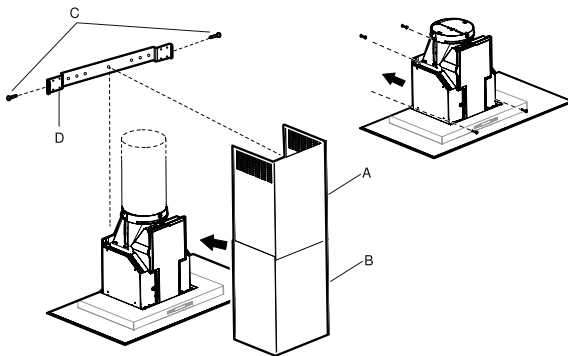
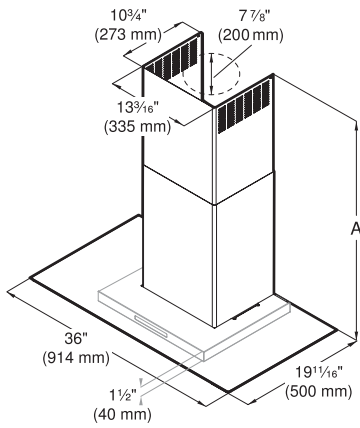
HCREC5UC
Recirculation Kit
for HCG56651UC

Benchmark® Chimney Wall Hood

36" Glass Canopy Chimney Hood



- * Recirculating installation
- ** Ducted installation



A	Upper flue duct
B	Lower flue duct
C	Screws
D	Angle bracket

300 Series 24" Pyramid Canopy Chimney Hood



24" 300 Series
Pyramid Canopy Chimney Hood
HCP34E51UC

- 300 CFM
- ENERGY STAR® Qualified
- 1 Fluorescent Light
- Aluminum Mesh Filters
- 9 ft.–11.5 ft. Duct Cover Extension Accessory



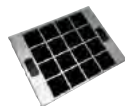
+ Indicates a step-up feature

24" Pyramid Canopy 300 Series	
Stainless Steel – HCP34E51UC	
General Properties	
Operating mode	Convertible: ducted / recirculating
Maximum CFM	300 CFM
Sones	5.36 HS / 1.56 WS
Number of speed settings	3-stage
Motor location	Integrated motor in hood chimney
Number of lights	1
Bulb type	Fluorescent
Total power of the lamps (W)	13 W
Damper included	Yes
Grease filter material	Aluminum
Grease filter type	Multilayer cassette
Technical Details	
Volts (V)	120 V
Frequency (Hz)	60 Hz
Plug type	No plug
Dimensions & Weight	
Overall appliance dimensions (width of canopy included) (HxWxD) (in.)	24 9/16" – 38 7/8" / 28 1/4" – 42 9/16" x 24" x 19 11/16"
Height of the chimney (in.)	19 9/16" – 33 7/8" / 23 1/4" – 42 9/16"
Required distance above cooktop / range cooking surface	24" Electric / 30" Gas
Diameter of air duct (in.) top	8"
Net weight (lbs)	49 lbs

Optional Accessories



HCPEXT5UC
Chimney Extension
for 9–11.5 ft. Ceilings



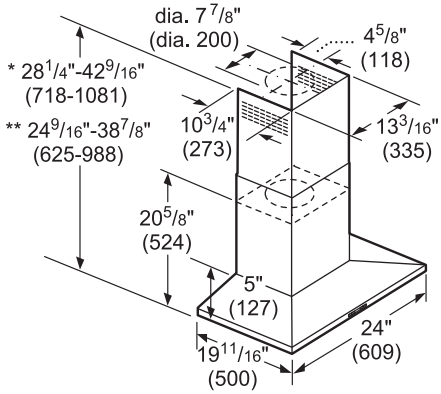
HCIFILTUC
Filter Kit



HCREC5UC
Recirculation Kit

300 Series 24" Pyramid Canopy Chimney Hood

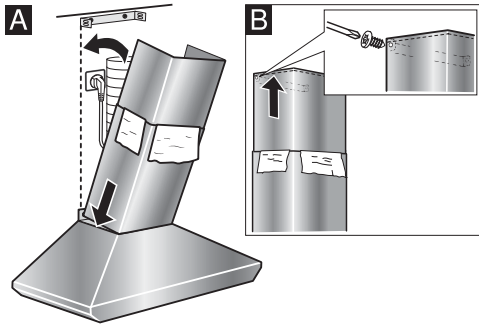
24" Pyramid Canopy Chimney Hood



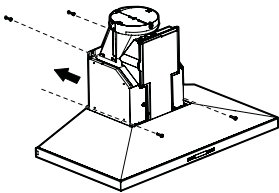
- * Recirculating installation
- ** Installation with exhaust air duct

Installation height above cooking surface:
 24"-34" (610 mm-864 mm) for electric
 27"-34" (686 mm-864 mm) for gas

measurements in inches (mm)



- | | |
|---|-----------------|
| A | Lower flue duct |
| B | Upper flue duct |



300 / 500 Series 30" Chimney Wall Hoods



30" 300 Series
Pyramid Canopy Chimney Hood
HCP30E51UC

- 300 CFM
- ENERGY STAR® Qualified
- 1 Fluorescent Light
- Aluminum Mesh Filters
- 9 ft.–11.5 ft. Duct Cover Extension Accessory



30" 300 Series
Pyramid Canopy Chimney Hood
HCP30651UC

- + 600 CFM
- + 2 Halogen Lights
- Aluminum Mesh Filters
- 9 ft.–11.5 ft. Duct Cover Extension Accessory



30" 500 Series
Box Canopy Chimney Hood
HCB50651UC

- + 600 CFM
- + 2 Halogen Lights
- + Stainless Steel Filters with Metal Latch
- 9 ft.–11.5 ft. Duct Cover Extension Accessory

+ Indicates a step-up feature

	30" Pyramid Canopy 300 Series	30" Pyramid Canopy 300 Series	30" Box Canopy 500 Series
	Stainless Steel – HCP30E51UC	Stainless Steel – HCP30651UC	Stainless Steel – HCB50651UC
General Properties			
Operating mode	Convertible: ducted / recirculating	Convertible: ducted / recirculating	Convertible: ducted / recirculating
Maximum CFM	300 CFM	600 CFM	600 CFM
Sones	5.36 HS / 1.56 WS	9.9 HS / 4.56 WS	9.9 HS / 4.56 WS
Number of speed settings	3-stage	4-stage	4-stage
Motor location	Integrated motor in hood chimney	Integrated motor in hood chimney	Integrated motor in hood chimney
Number of lights	1	2	2
Bulb type	Fluorescent	Halogen	Halogen
Total power of the lamps (W)	13 W	80 W	80 W
Damper included	Yes	Yes	Yes
Grease filter material	Aluminum	Aluminum	Washable stainless steel
Grease filter type	Multilayer cassette	Multilayer cassette	Multilayer cassette
Technical Details			
Volts (V)	120 V	120 V	120 V
Frequency (Hz)	60 Hz	60 Hz	60 Hz
Plug type	No plug	No plug	No plug
Dimensions & Weight			
Overall appliance dimensions (width of canopy included) (HxWxD) (in.)	24 9/16" – 38 7/8" / 28 1/4" – 42 9/16" x 30" x 19 11/16"	24 9/16" – 38 7/8" / 28 1/4" – 42 9/16" x 30" x 19 11/16"	27 1/16" x 42 1/8" / 27 1/16" x 45 13/16" / 30" x 19 11/16"
Height of the chimney (in.)	19 9/16" – 33 7/8" / 23 1/4" – 42 9/16"	19 9/16" – 33 7/8" / 23 1/4" – 42 9/16"	25 1/2" x 40 9/16" / 25 1/2" x 44 1/4"
Required distance above cooktop / range cooking surface	24" Electric / 30" Gas	24" Electric / 30" Gas	24" Electric / 30" Gas
Diameter of air duct (in.) top	8"	8"	8"
Net weight (lbs)	49 lbs	49 lbs	54 lbs

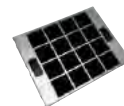
Optional Accessories



HCPEXT5UC
Chimney Extension For 9–11.5 ft. Ceilings for Use with HCP30E51UC and HCP30651UC



HCBEXT5UC
Chimney Extension for 9–11.5 ft. Ceilings for Use with HCB50651UC



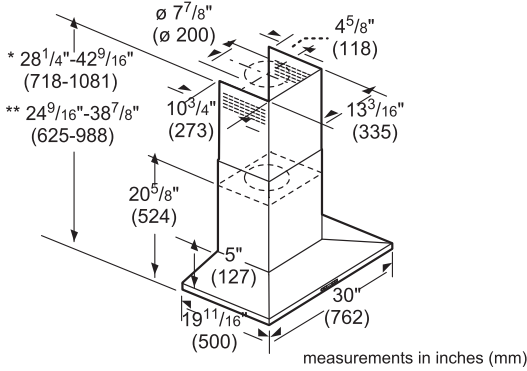
HCIFILTUC
Filter Kit



HCREC5UC
Recirculation Kit

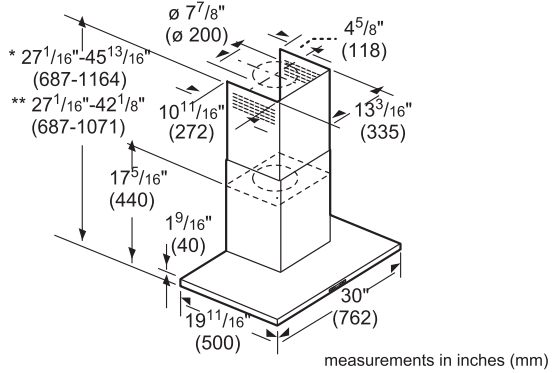
300 / 500 Series 30" Chimney Wall Hoods

30" Pyramid Canopy Chimney Hood

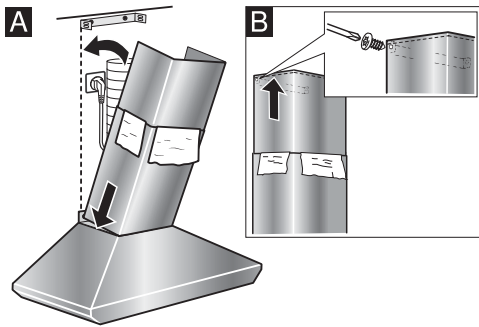


* Recirculating installation
 ** Ducted installation

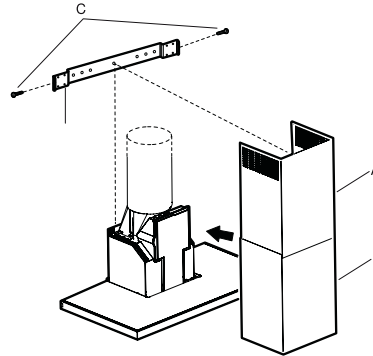
30" Box Canopy Chimney Hood



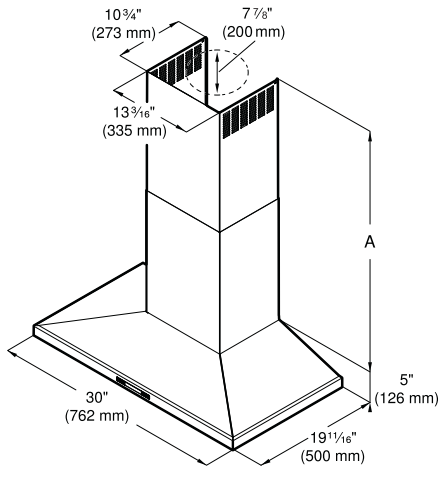
* Recirculating installation
 ** Ducted installation



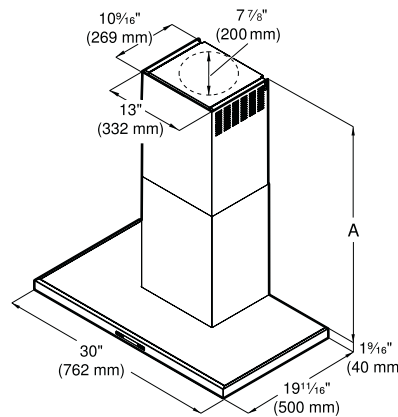
- A Lower flue duct
- B Upper flue duct



- A Upper flue duct
- B Lower flue duct
- C Screws
- D Angle bracket



top to 6 6
 to o 6 6
 t



A
 ute operation
 in / a $27\frac{1}{16}"$ (687) / $42\frac{1}{8}"$ (107)
 e ir lation o e
 in / a $27\frac{1}{16}"$ (687) / $45\frac{13}{16}"$ (1164)
 easure ents in in hes ()

300 / 500 Series 36" Chimney Wall Hoods



36" 300 Series
Pyramid Canopy Chimney Hood
HCP36E51UC

- 300 CFM
- ENERGY STAR® Qualified
- 1 Fluorescent Light
- Aluminum Mesh Filters
- 9 ft.–11.5 ft. Duct Cover Extension Accessory



36" 300 Series
Pyramid Canopy Chimney Hood
HCP36651UC

- + 600 CFM
- + 2 Halogen Lights
- Aluminum Mesh Filters
- 9 ft.–11.5 ft. Duct Cover Extension Accessory



36" 500 Series
Box Canopy Chimney Hood
HCB56651UC

- + 600 CFM
- + 2 Halogen Lights
- + Stainless Steel Filters with Metal Latch
- 9 ft.–11.5 ft. Duct Cover Extension Accessory

+ Indicates a step-up feature

	36" Pyramid Canopy 300 Series	36" Pyramid Canopy 500 Series	36" Box Canopy 500 Series
	Stainless Steel – HCP36E51UC	Stainless Steel – HCP36651UC	Stainless Steel – HCB56651UC
General Properties			
Operating mode	Convertible: ducted / recirculating	Convertible: ducted / recirculating	Convertible: ducted / recirculating
Maximum CFM	300 CFM	600 CFM	600 CFM
Sones	5.36 HS / 1.56 WS	9.9 HS / 4.56 WS	9.9 HS / 4.56 WS
Number of speed settings	3-stage	4-stage	4-stage
Motor location	Integrated motor in hood chimney	Integrated motor in hood chimney	Integrated motor in hood chimney
Number of lights	1	2	2
Bulb type	Fluorescent	Halogen	Halogen
Total power of the lamps (W)	13 W	80 W	80 W
Damper included	Yes	Yes	Yes
Grease filter material	Aluminum	Aluminum	Washable stainless steel
Grease filter type	Multilayer cassette	Multilayer cassette	Multilayer cassette
Technical Details			
Volts (V)	120 V	120 V	120 V
Frequency (Hz)	60 Hz	60 Hz	60 Hz
Plug type	No plug	No plug	No plug
Dimensions & Weight			
Overall appliance dimensions (width of canopy included) (HxWxD) (in.)	24 9/16" – 38 7/8" / 28 1/4" – 42 9/16" x 36" x 19 11/16"	24 9/16" – 38 7/8" / 28 1/4" – 42 9/16" x 36" x 19 11/16"	27 1/16" x 42 1/8" / 27 1/16" x 45 13/16" / 36" x 19 11/16"
Height of the chimney (in.)	19 9/16" – 33 7/8" / 23 1/4" – 42 9/16"	19 9/16" – 33 7/8" / 23 1/4" – 42 9/16"	25 1/2" x 40 9/16" / 25 1/2" x 44 1/4"
Required distance above cooktop / range cooking surface	24" Electric / 30" Gas	24" Electric / 30" Gas	24" Electric / 30" Gas
Diameter of air duct (in.) top	8"	8"	8"
Net weight (lbs)	53 lbs	53 lbs	54 lbs

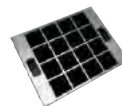
Optional Accessories



HCPEXT5UC
Chimney Extension for 9–11.5 ft. Ceilings for Use with HCP36E51UC and HCP36651UC



HCBEXT5UC
Chimney Extension for 9–11.5 ft. Ceilings for Use with HCB50651UC



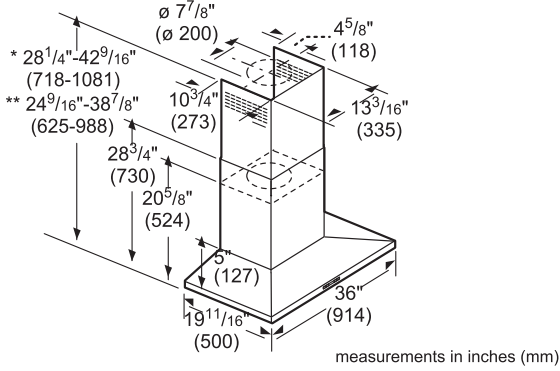
HCIFILTUC
Filter Kit



HCREC5UC
Recirculation Kit

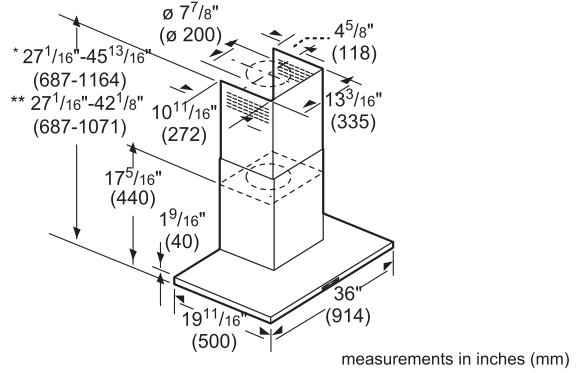
300 / 500 Series 36" Chimney Wall Hoods

36" Pyramid Canopy Chimney Hood

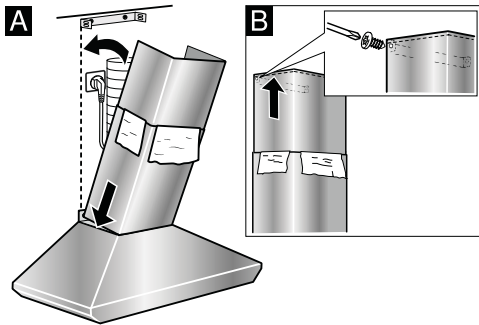


* Recirculating installation
 ** Ducted installation

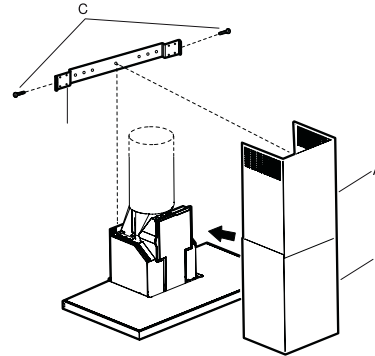
36" Box Canopy Chimney Hood



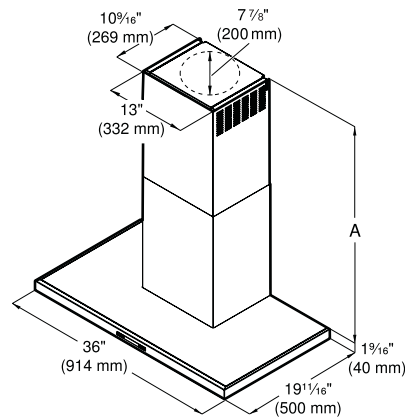
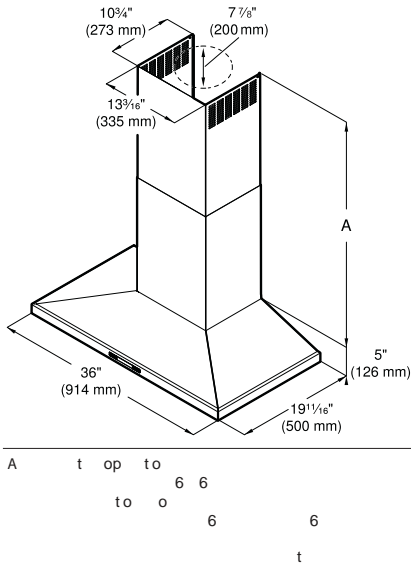
* Recirculating installation
 ** Ducted installation



- A Lower flue duct
- B Upper flue duct



- A Upper flue duct
- B Lower flue duct
- C Screws
- D Angle bracket



- A u t e o p e r a t i o n
 i n / a 27 1/16" (687) / 42 1/8" (1 07)
 e i r c u l a t i o n o e
 i n / a 27 1/16" (687) / 45 13/16" (1164)

measurements in inches (mm)

800 Series Island Hood



42" 800 Series
Box Canopy Island Hood
HIB82651UC

- 600 CFM
- 4 Halogen Lights
- Stainless Steel Filters with Metal Latch
- 9 ft.–11.5 ft. Duct Cover Extension Accessory

42" Box Canopy Island Hood

Stainless Steel – HIB82651UC

General Properties

Operating mode	Convertible: ducted / recirculating
Maximum CFM	600 CFM
Sones	9.9 HS / 4.56 WS
Number of speed settings	4-stage
Motor location	Integrated motor in hood chimney
Number of lights	4
Bulb type	Halogen
Total power of the lamps (W)	80 W
Damper included	Yes
Grease filter material	Washable stainless steel
Grease filter type	Multilayer cassette

Technical Details

Volts (V)	120 V
Frequency (Hz)	60 Hz
Plug type	No plug

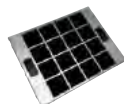
Dimensions & Weight

Overall appliance dimensions (width of canopy included) (HxWxD) (in.)	29 13/16" – 45 5/16" / 29 13/16" – 50 5/16" x 42 1/16" x 27"
Height of the chimney (in.)	27 7/16" – 42 7/8" / 27 7/16" – 47 7/8"
Required distance above cooktop / range cooking surface	24" Electric / 30" Gas
Diameter of air duct (in.) top	8"
Net weight (lbs)	110 lbs

Optional Accessories



HCIEXT5UC
Chimney Extension for 9–11.5 ft.
Ceilings for Use with HIB82651UC



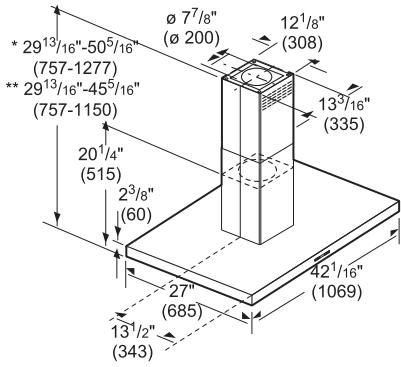
HCIFILTUC
Filter Kit



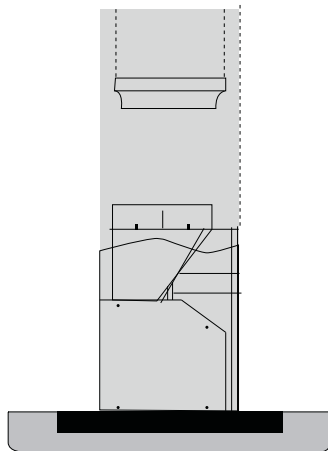
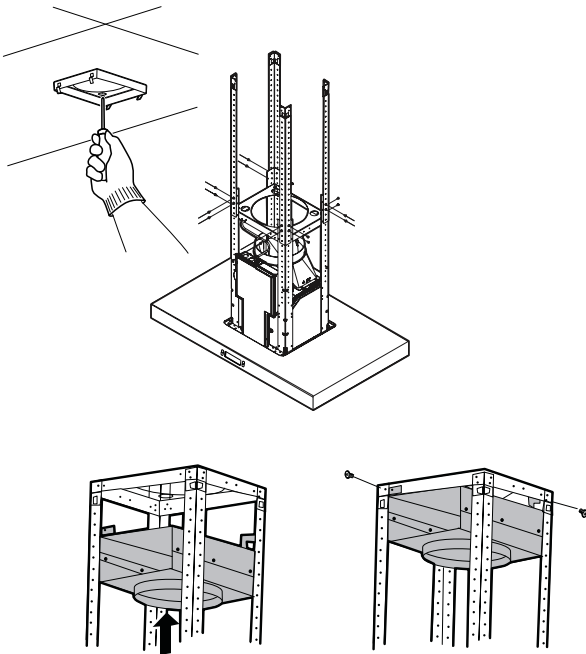
HIREC5UC
Recirculation Kit for HIB82651UC

800 Series Island Hood

42" Box Canopy Island Hood



- * Recirculating installation measurements in inches (mm)
- ** Ducted installation



500 Series Pull-Out Hoods



24" 500 Series
Pull-Out Hood
HUI54451UC

- 400 CFM
- Electronic Control
- 2 Halogen Lights
- Convertible: Ducted / Recirculating



30" 500 Series
Pull-Out Hood
HUI50351UC

- 300 CFM
- Electronic Control
- 2 Halogen Lights
- Convertible: Ducted / Recirculating



36" 500 Series
Pull-Out Hood
HUI56551UC

- + 500 CFM
- Electronic Control
- 2 Halogen Lights
- Convertible: Ducted / Recirculating

+ Indicates a step-up feature

	24"	30"	36"
	Stainless Steel – HUI54451UC	Stainless Steel – HUI50351UC	Stainless Steel – HUI56551UC
General Properties			
Operating mode	Convertible: ducted / recirculating	Convertible: ducted / recirculating	Convertible: ducted / recirculating
Maximum CFM	400 CFM	300 CFM	500 CFM
Number of speed settings	4-stage	3-stage	3-stage
Motor location	Integrated motor in hood body	Integrated motor in hood body	Integrated motor in hood body
Number of lights	2	2	2
Bulb type	Halogen	Halogen	Halogen
Total power of the lamps (W)	40 W	40 W	40 W
Damper included	Yes	Yes	Yes
Grease filter material	Aluminum	Aluminum	Aluminum
Grease filter type	Multilayer cassette	Multilayer cassette	Multilayer cassette
Technical Details			
Volts (V)	120 V	120 V	120 V
Frequency (Hz)	60 Hz	60 Hz	60 Hz
Plug type	120V – 3 Prong	No plug	No plug
Power cord length (in.)	45 1/2"	50"	50"
Dimensions & Weight			
Overall appliance dimensions (width of canopy included) (HxWxD) (in.)	11 13/16" x 23 9/16" x 11 13/16"	11 9/16" x 29 7/8" x 11"	11 9/16" x 35 7/8" x 11"
Required distance above cooktop / range cooking surface	24" Electric / 30" Gas	24" Electric / 30" Gas	24" Electric / 30" Gas
Diameter of air duct (in.) top	6"	6"	6"
Diameter of air duct (in.) back	N/A	6"	6"
Net weight (lbs)	24 lbs	26 lbs	32.5 lbs

Optional Accessories



HVREC5UC
Recirculation Kit for Use with HUI54451UC



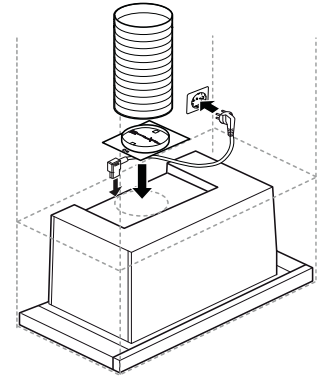
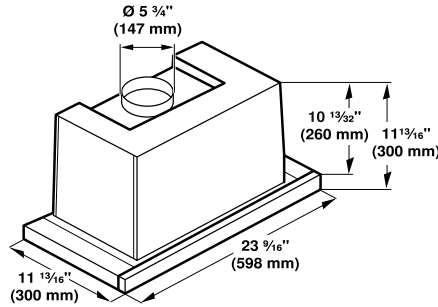
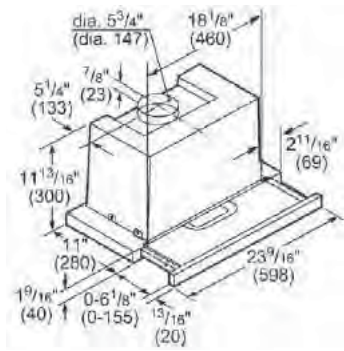
HUIF06UC
Recirculation Kit for Use with HUI50351UC
and HUI56551UC



HUIRED56UC
CFM Reducer Kit for Use with HUI56551UC;
Reduces CFM to Under 300

500 Series Pull-Out Hoods

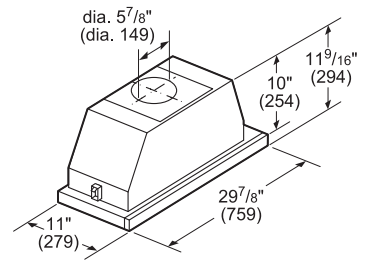
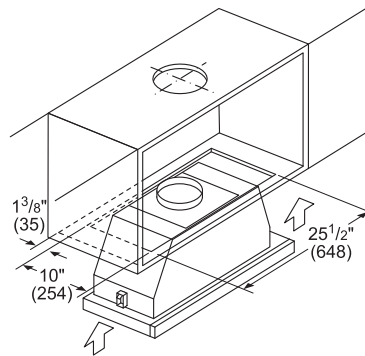
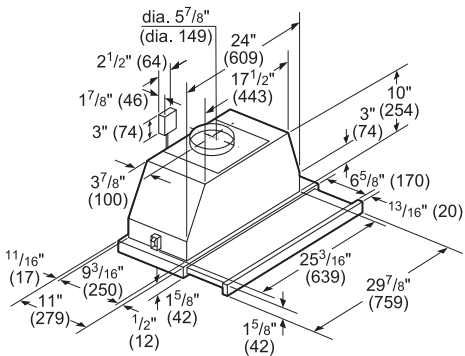
24" Pull-Out Hood



Installation height above cooking surface:
24"-34" (610-864) to Electric
29 1/2"-34" (750-864) to Gas.

Measurements in inches (mm)

30" Pull-Out Hood

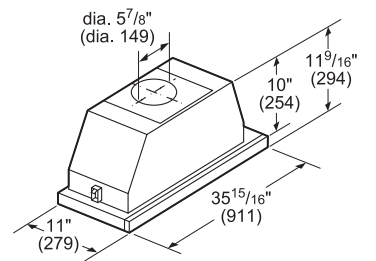
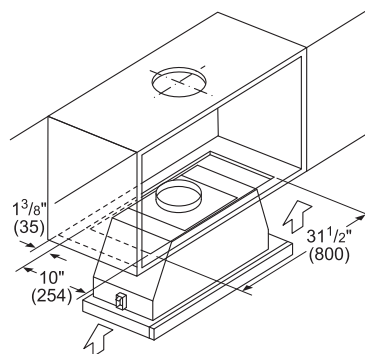
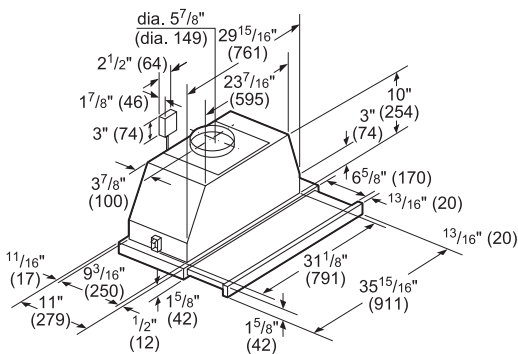


measurements in inches (mm)

Installation height above cooking surface:
24" (610) to Electric
25 3/4" (650) to Gas.

measurements in inches (mm)

36" Pull-Out Hood



measurements in inches (mm)

Installation height above cooking surface:
24" (610) to Electric
25 3/4" (650) to Gas.

measurements in inches (mm)

300 / 500 / 800 Series 30" Under-Cabinet Wall Hoods



30" 300 Series
Under-Cabinet Wall Hood
DUH30152UC

- 280 CFM
- Incandescent Lights
- Aluminum Mesh Filters
- Three Power Levels



30" 500 Series
Under-Cabinet Wall Hood
DUH30252UC

- + 400 CFM
- + Halogen Lights (Not Included)
- Aluminum Mesh Filters
- + Four Power Levels



30" 800 Series
Under-Cabinet Wall Hood
DPH30652UC

- + 600 CFM
- Incandescent Lights
- Aluminum Mesh Filters
- + Professional Design

+ Indicates a step-up feature

	300 Series	500 Series	800 Series
	Stainless Steel – DUH30152UC	Stainless Steel – DUH30252UC	Stainless Steel – DPH30652UC
General Properties			
Operating mode	Convertible: ducted / recirculating	Convertible: ducted / recirculating	Convertible: ducted / recirculating
Maximum CFM	280 CFM	400 CFM	600 CFM
Number of speed settings	3-stage	4-stage	2-stage
Motor location	Integrated motor in hood body	Integrated motor in hood body	Integrated motor in hood body
Number of lights	2	2 (not included)	2
Bulb type	Incandescent	Halogen	Incandescent
Total power of the lamps (W)	80 W	100 W	80 W
Damper included	Yes	Yes	Yes
Grease filter material	Aluminum	Aluminum	Aluminum
Grease filter type	Multilayer cassette	Multilayer cassette	Multilayer cassette
Technical Details			
Watts (W)	N/A	N/A	142 W
Volts (V)	120 V	120 V	120 V
Frequency (Hz)	60 Hz	60 Hz	60 Hz
Plug type	No plug	No plug	No plug
Dimensions & Weight			
Overall appliance dimensions (width of canopy included) (HxWxD) (in.)	5" x 30" x 20"	5" x 30" x 20"	11" x 30" x 23"
Required distance above cooktop / range cooking surface	30" Electric / 30" Gas	30" Electric / 30" Gas	30" Electric / 30" Gas
Diameter of air duct (in.) top	7"	7"	8"
Diameter of air duct (in.) back	3 1/4" x 10" rectangular	3 1/4" x 10" rectangular	8"
Net weight (lbs)	42 lbs	42 lbs	34 lbs

Optional Accessories for 300 and 500 Series Under-Cabinet Hoods

DHZ3002UC
Replacement Charcoal Filter

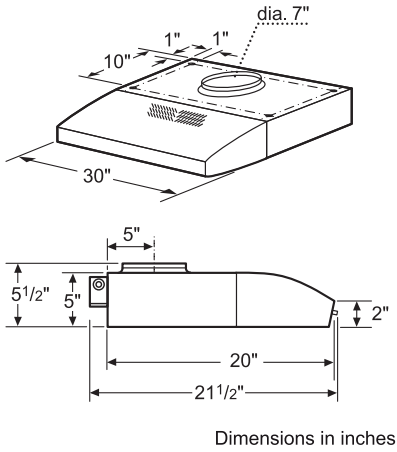
Optional Accessories for 800 Series Under-Cabinet Hood

DHZ3052UC
Replacement Charcoal Filter

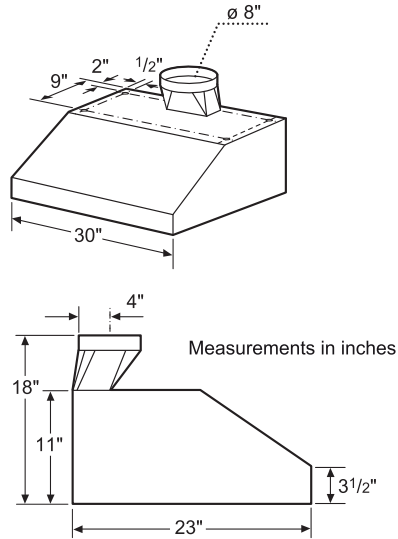
DRZ3052UC
Recirculation Kit Adds 4" Height to Appliance

300 / 500 / 800 Series 30" Under-Cabinet Wall Hoods

300 / 500 Series 30" Under-Cabinet Hoods Dimensions

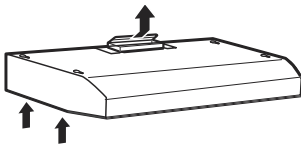


800 Series 30" Under-Cabinet Hood Dimensions

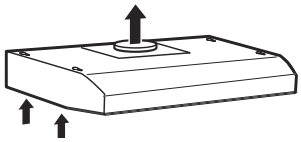


300 / 500 Series 30" Under-Cabinet Hoods Venting

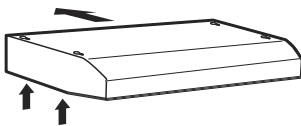
Vertical discharge:
Use a rectangular duct 3 1/4" x 10"....



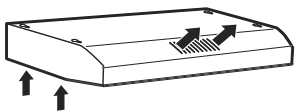
....or use a round 7" duct



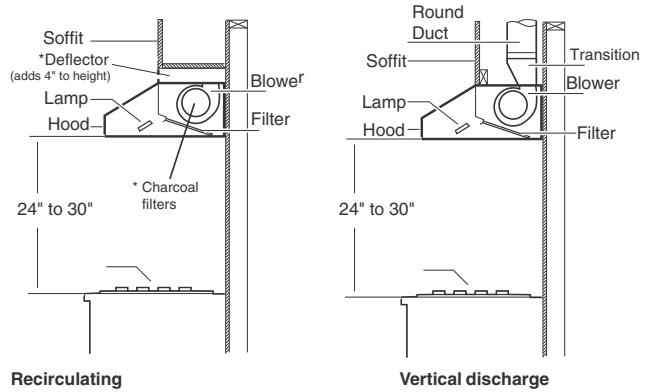
Horizontal discharge:
Use a rectangular duct 3 1/4" x 10"



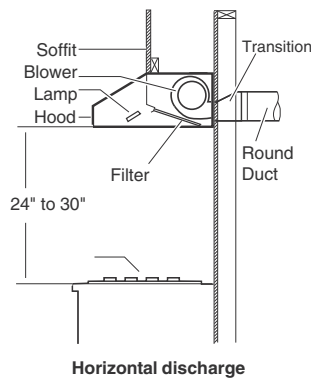
Recirculating (non vented ductless)



800 Series 30" Under-Cabinet Hood Venting



Recirculating
* Optional accessory - Ductless recirculation kit. Adds 4" to height of appliance.



300 / 500 / 800 Series 36" Under-Cabinet Wall Hoods



36" 300 Series
Under-Cabinet Wall Hood
DUH36152UC

- 280 CFM
- Incandescent Lights
- Aluminum Mesh Filters
- Three Power Levels



36" 500 Series
Under-Cabinet Wall Hood
DUH36252UC

- + 400 CFM
- + Halogen Lights (Not Included)
- Aluminum Mesh Filters
- + Four Power Levels



36" 800 Series
Under-Cabinet Wall Hood
DPH36652UC

- + 600 CFM
- Incandescent Lights
- Aluminum Mesh Filters
- + Professional Design

+ Indicates a step-up feature

	300 Series	500 Series	800 Series
	Stainless Steel – DUH36152UC	Stainless Steel – DUH36252UC	Stainless Steel – DPH36652UC
General Properties			
Operating mode	Convertible: ducted / recirculating	Convertible: ducted / recirculating	Convertible: ducted / recirculating
Maximum CFM	280 CFM	400 CFM	600 CFM
Number of speed settings	3-stage	4-stage	2-stage
Motor location	Integrated motor in hood body	Integrated motor in hood body	Integrated motor in hood body
Number of lights	2	2 (not included)	2
Bulb type	Incandescent	Halogen	Incandescent
Total power of the lamps (W)	80 W	100 W	80 W
Damper included	Yes	Yes	Yes
Grease filter material	Aluminum	Aluminum	Aluminum
Grease filter type	Multilayer cassette	Multilayer cassette	Multilayer cassette
Technical Details			
Watts (W)	N/A	N/A	253 W
Volts (V)	120 V	120 V	120 V
Frequency (Hz)	60 Hz	60 Hz	60 Hz
Plug type	No plug	No plug	No plug
Dimensions & Weight			
Overall appliance dimensions (width of canopy included) (HxWxD) (in.)	5" x 36" x 20"	5" x 36" x 20"	11" x 36" x 23"
Required distance above cooktop / range cooking surface	30" Electric / 30" Gas	30" Electric / 30" Gas	30" Electric / 30" Gas
Diameter of air duct (in.) top	7"	7"	8"
Diameter of air duct (in.) back	3 1/4" x 10" rectangular	3 1/4" x 10" rectangular	8"
Net weight (lbs)	41 lbs	41 lbs	34 lbs

Optional Accessories for 300 and 500 Series Under-Cabinet Hoods

DHZ3002UC
Replacement Charcoal Filter

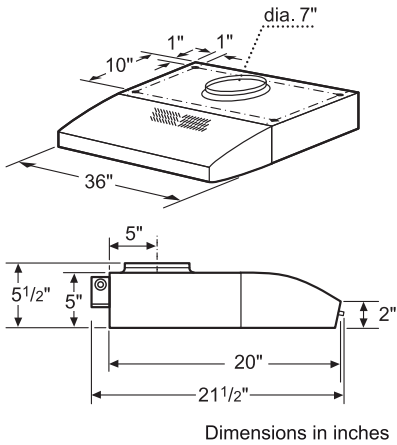
Optional Accessories for 800 Series Under-Cabinet Hood

DHZ3052UC
Replacement Charcoal Filter

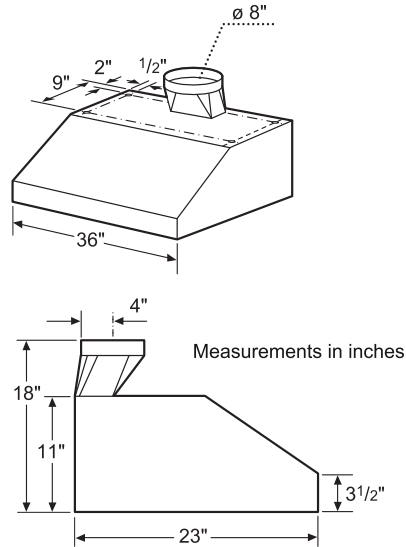
DRZ3652UC
Recirculation Kit Adds 4" Height to Appliance

300 / 500 / 800 Series 36" Under-Cabinet Wall Hoods

300 / 500 Series 36" Under-Cabinet Hoods Dimensions



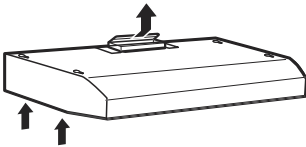
800 Series 36" Under-Cabinet Hood Dimensions



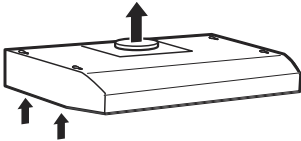
300 / 500 Series 36" Under-Cabinet Hoods Venting

Vertical discharge:

Use a rectangular duct 3 1/4" x 10".....

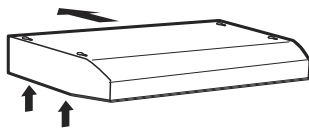


....or use a round 7" duct

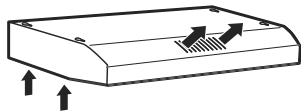


Horizontal discharge:

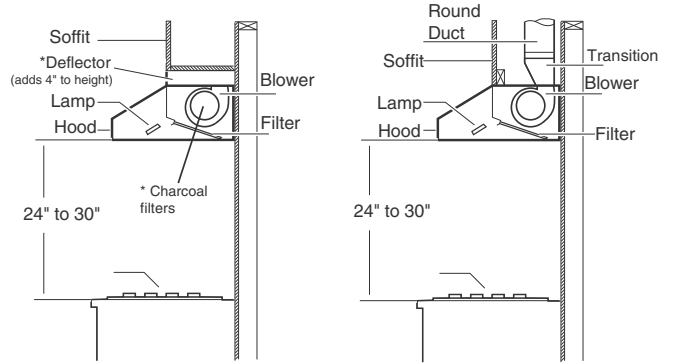
Use a rectangular duct 3 1/4" x 10"



Recirculating (non vented ductless)



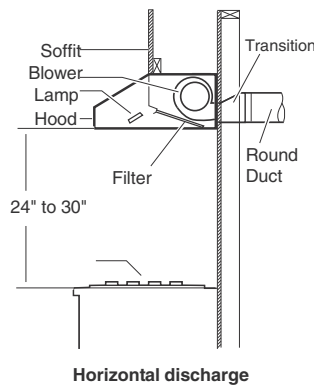
800 Series 36" Under-Cabinet Hood Venting



Recirculating

* Optional accessory - Ductless recirculation kit. Adds 4" to height of appliance.

Vertical discharge



Horizontal discharge

800 Series Downdraft Hoods



30" – DHD3014UC



36" – DHD3614UC

800 Series Downdraft Hoods

- 13" Telescopic Chimney
- 600 CFM Blower Options (Sold Separately)
- Stainless Steel Filters with Metal Latch
- Three Power Levels
- Recirculation Option (Sold Separately)

	30"	36"
	Stainless Steel – DHD3014UC	Stainless Steel – DHD3614UC
General Properties		
Operating mode	Convertible: ducted / recirculating	Convertible: ducted / recirculating
Maximum CFM	Blower sold separately	Blower sold separately
Number of speed settings	3-stage	3-stage
Motor location	External	External
Damper included	Yes	Yes
Grease filter material	Washable stainless steel	Washable stainless steel
Grease filter type	Multilayer cassette	Multilayer cassette
Technical Details		
Volts (V)	120 V	120 V
Frequency (Hz)	60 Hz	60 Hz
Plug type	120V – 3 prong	120V – 3 prong
Power cord length (in.)	30"	30"
Dimensions & Weight		
Overall appliance dimensions (width of canopy included) (HxWxD) (in.)	21 5/8" x 31" x 3 3/4"	21 5/8" x 37" x 3 3/4"
Height of the rise (in.)	13"	13"
Diameter of air duct (in.) top	10"	10"
Net weight (lbs)	37 lbs	47 lbs

Optional Accessories



DHDRM36UC
Recirculation Kit



DHZDHR6
6" Duct Transition

Note: Required With the Installation of Inline and Remote Blowers for Downdraft Applications Only. DHZDHR6 Is for 600 CFM Which Will Improve Overall Performance.



DHG601DUC
600 CFM Internal Blower



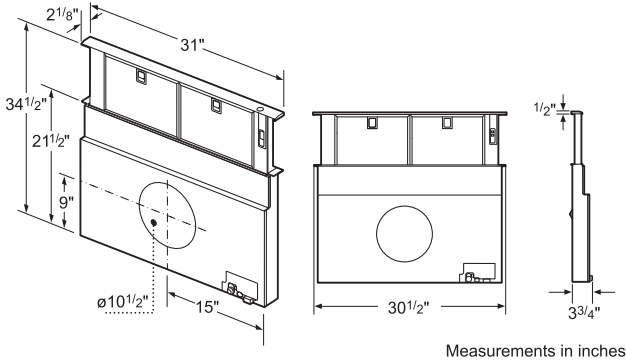
DHG6015NUC
600 CFM Inline Blower



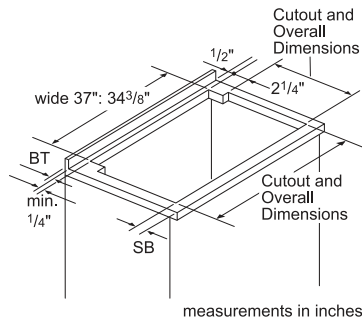
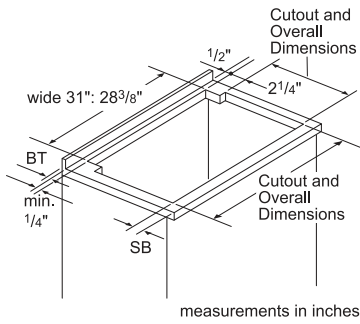
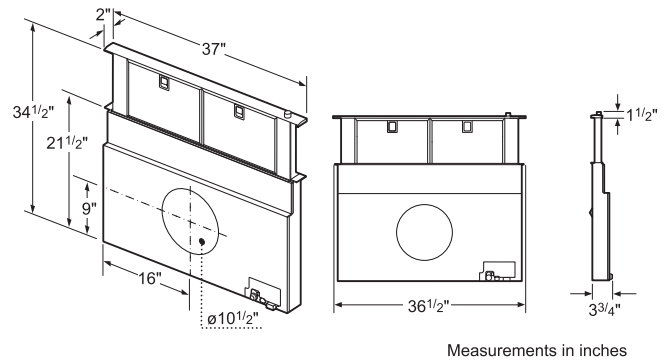
DHG6023RUC
600 CFM Remote Blower

800 Series Downdraft Hoods

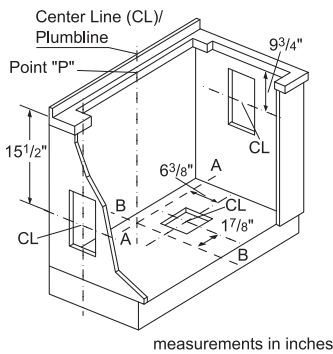
30" Downdraft Hood



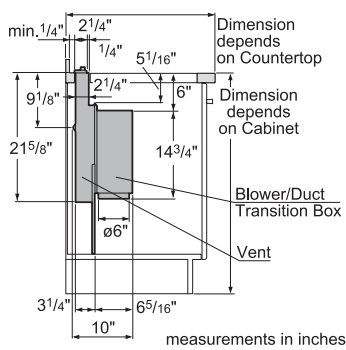
36" Downdraft Hood



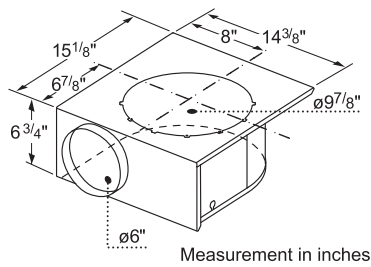
30" & 36" Downdraft Hoods



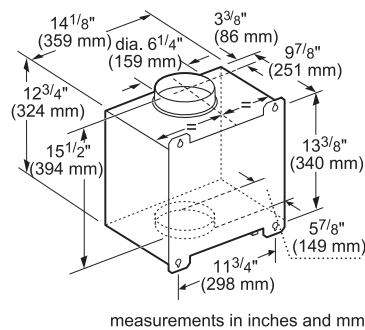
30" & 36" Downdraft Hoods



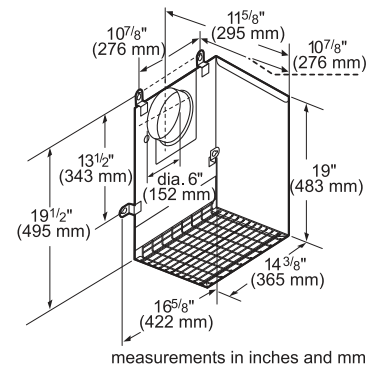
DHG601DUC 600 CFM Internal Blower



DHG6015NUC 600 CFM Inline Blower



DHG6023RUC 600 CFM Remote Blower



300 / 500 Series Custom Insert Hoods



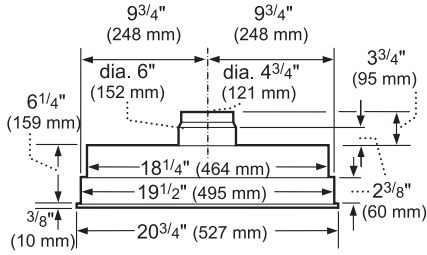
300 Series
 21" – HUI31451UC
 500 Series
 29" – DHL755BUC
 Custom Insert Hoods

- 400 CFM
- 2 Halogen Lights
- Aluminum Mesh Filters
- Slide Control Switch

	300 Series 21" – HUI31451UC	500 Series 29" – DHL755BUC
General Properties		
Operating mode	Ducted	Ducted
Maximum CFM	400 CFM	400 CFM
Number of speed settings	3-stage	3-stage
Motor location	Integrated motor in hood body	Integrated motor in hood body
Number of lights	2	2
Bulb type	Halogen	Halogen
Total power of the lamps (W)	40 W	40 W
Damper included	Yes	Yes
Grease filter material	Aluminum	Aluminum
Grease filter type	Multilayer cassette	Multilayer cassette
Technical Details		
Volts (V)	120 V	120 V
Frequency (Hz)	60 Hz	60 Hz
Plug type	120V – 3 prong	120V – 3 prong
Power cord length (in.)	51"	51"
Dimensions & Weight		
Overall appliance dimensions (width of canopy included) (HxWxD) (in.)	10" x 20 ³ / ₄ " x 15"	6 ¹ / ₄ " / x 28 ¹¹ / ₁₆ " x 15"
Required distance above cooktop / range cooking surface	30" Electric / 30" Gas	30" Electric / 30" Gas
Diameter of air duct (in.) top	6"	6"
Net weight (lbs)	19 lbs	23 lbs

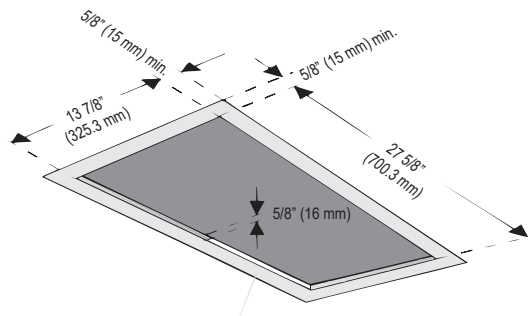
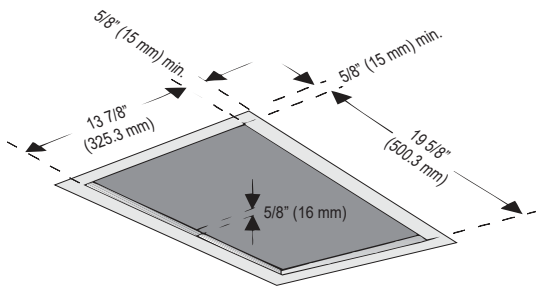
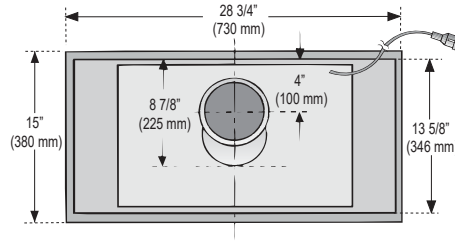
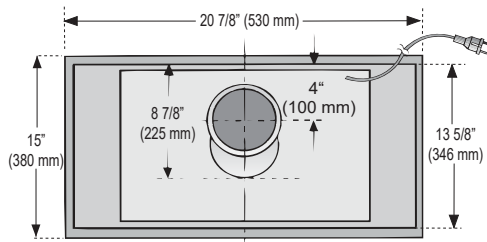
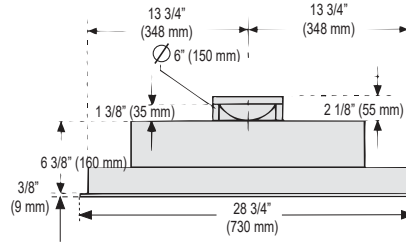
300 / 500 Series Custom Insert Hoods

21" Custom Insert Hood



measurements in inches and mm

29" Custom Insert Hood





Dishwashers

From their legendary quiet performance to their promise of sparkling clean dishes, Bosch dishwashers deliver a lasting quality you've come to trust and expect. As the quietest dishwasher brand in the U.S.,* Bosch dishwashers bring peace and quiet to the kitchen. And now with the industry's largest 3rd rack loading capacity,** The MyWay™ rack lends a new level of loading ease. Plus, our Rackmatic® adjustable middle racks and FlexSpace™ tines offer even more flexible loading options. Discover how Bosch dishwashers are flexible enough to handle whatever life brings.

*Based on an average of sound ratings of 24" Full Size Stainless Steel Tub dishwashers contained in major brands websites. Major brands defined as TraQline Top 5 Market Share December 2016.

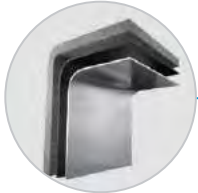
**Versus major brands with a 3rd rack. Major brands defined as TraQline Top 10 Market Share. June 2016.

Benchmark® Dishwashers



MyWay™ rack

The largest, most versatile 3rd rack of its kind, MyWay™ easily fits more of your larger, deeper items like cereal bowls, freeing up extra space for oversized items in the bottom rack.



Ultra-quiet performance

Our quietest dishwasher line, Benchmark® models offer near-silent performance with models as low as 38 dBA. (Available on select Benchmark® models only)



EasyGlide™ rack system on all three racks

Smooth-rolling ball bearings add a smoother glide to all three racks, so you get a more premium feel with every pull—even when the rack is fully loaded. (Available on select Benchmark® models only.)



FlexSpace™ plus tines

FlexSpace™ Plus gives you complete flexibility. Either fold down every other tine in the row or fold them all down—to create space to load larger dishes such as pasta bowls or even small frying pans more efficiently. (Available on select Benchmark® models only)



Interior light

A bright white interior light adds an aesthetic accent in the kitchen and makes loading easier in dim lighting. (Available on select Benchmark® models only)



TimeLight®

Shines the amount of time remaining in the cycle right on the floor. (Available on select Benchmark® models only)



Water softener

A built-in water softener removes hard water spots caused by lime deposits, softening the water to the appropriate level to ensure spot-free, shiny dishes. (Available on select Benchmark® models only)



TFT display

The full-color TFT control is intuitive and easy to use, while also matching the other Bosch products in the Benchmark® kitchen. (Available on select Benchmark® models only)



Benchmark® Dishwashers



- Benchmark®**
- 42 dBA
 - SHP87PW55N** • MyWay™ 3rd Rack
 - SHX87PW55N** • Speed60®
 - TimeLight®



- Benchmark®**
- + 40 dBA
 - SHP88PW55N** + FlexSpace™ Plus Tines
 - SHX88PW55N** + Water Softener
 - SHV88PW53N** + EasyGlide™ Rack System Upper and Lower Rack



- Benchmark®**
- + 39 dBA (Custom Panel Model is 40 dBA)
 - SHE89PW55N** Bar Handle – SHX89PW55N
 - SHX89PW55N** + Interior Light
 - SHV89PW53N** + EasyGlide™ Rack System on All 3 Loading Levels
 - + TFT Display

+ Indicates a step-up feature

Pocket Handle – SHP87PW55N
Bar Handle – SHX87PW55N

Pocket Handle – SHP88PW55N
Bar Handle – SHX88PW55N
Custom Panel – SHV88PW53N

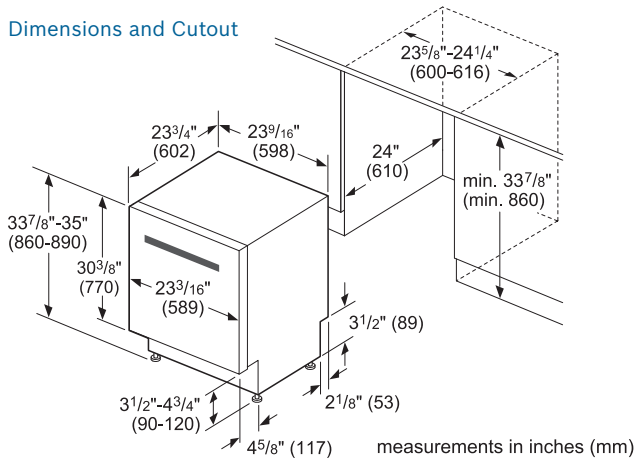
Recessed Handle – SHE89PW55N
Bar Handle – SHX89PW55N
Custom Panel – SHV89PW53N

General Properties			
Number of wash cycles / options	6 / 6	6 / 6	7 / 7
dBA	42	40	39 / 39 / 40
Third rack	MyWay™ Rack	MyWay™ Rack	MyWay™ Rack
Rack adjustability	RackMatic®	RackMatic®	RackMatic®
Tub material	Stainless steel	Stainless steel	Stainless steel
Control type	Touch control	Touch control	Touch control with TFT display
Concealed heating element	Yes	Yes	Yes
Leak protection system	24/7 AquaStop®	24/7 AquaStop®	24/7 AquaStop®
Water softener	No	Yes	Yes
Five-level wash	Yes	Yes	Yes
ChildLock	No	No	No
InfoLight® / TimeLight®	TimeLight®	TimeLight®	Bar handle and custom panel only
Special features	Extra dry option	Extra dry option	Interior light, EasyGlide™ Rack System
Efficiency and Capacity			
Water usage per cycle	2.9	2.9	2.9
Energy efficiency class	Tier 1	Tier 1	Tier 1
ENERGY STAR® qualified	Yes	Yes	Yes
Total annual energy / water consumption	269 kWh / 623.5 g	269 kWh / 623.5 g	269 kWh / 623.5 g
Number of place settings	16	16	16
Technical Data			
Watts (W)	1440 W	1440 W	1440 W
Current (A) / Volts (V) / Frequency (Hz)	12 A / 120 V / 60 Hz	12 A / 120 V / 60 Hz	12 A / 120 V / 60 Hz
Power cord length	N/A	N/A	N/A
Minimum water pressure (lb / sin)	14	14	14
Length outlet hose (in)	79"	79"	79"
Dimensions & Weight			
Overall appliance dimensions (HxWxD) (in)	33 7/8" x 23 9/16" x 23 3/4"	33 7/8" x 23 9/16" x 23 3/4" (Custom panel D: 23 1/16")	33 7/8" x 23 9/16" x 23 3/4" (Custom panel W: 23 1/16")
Required cutout size (HxWxD) (in)	33 7/8" x 23 5/8" x 24"	33 7/8" x 23 5/8" x 24"	33 7/8" x 23 5/8" x 24"
Adjustable feet	Yes	Yes	Yes
Net weight (lbs)	103 lbs	112 / 112 / 109 lbs	111 / 111 / 108 lbs

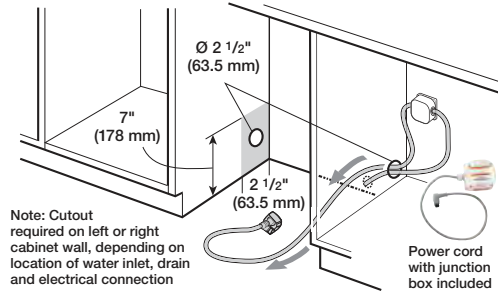
Optional Accessories							
SGZ9091UC Softener Salt (4.4 lbs)	SGZ1010UC Drain Hose Extension	SMZPC002UC Power Cord with Cold Plug	SMZ5000 Accessory Kit	SMZ5002UC Anti-Tarnish Silverware Cassette	SHZ1008UC Stainless Steel Door with Stainless Steel Straight Bosch Bar Handle	SMZ1007UC Stainless Steel Straight Bosch Bar Handle	SMZ4026 Silverware insert for MyWay™ Rack

Benchmark® Dishwashers

Dimensions and Cutout



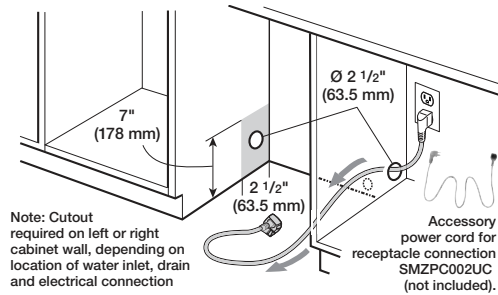
Example of Hardwire Installation



Note: Cutout required on left or right cabinet wall, depending on location of water inlet, drain and electrical connection

Power cord with junction box included

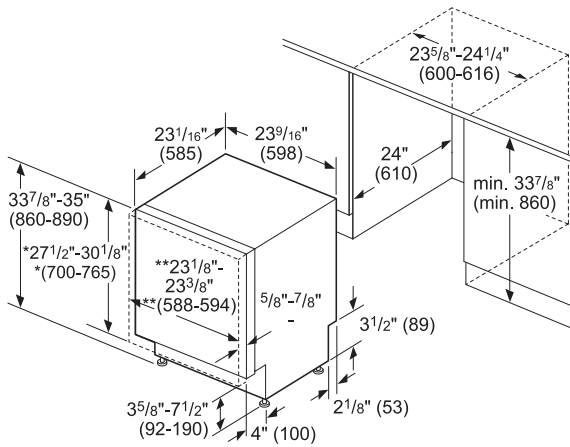
Example of Electrical Receptacle Installation



Note: Cutout required on left or right cabinet wall, depending on location of water inlet, drain and electrical connection

Accessory power cord for receptacle connection SMZPC002UC (not included).

Custom Panel – Dimensions and Cutout



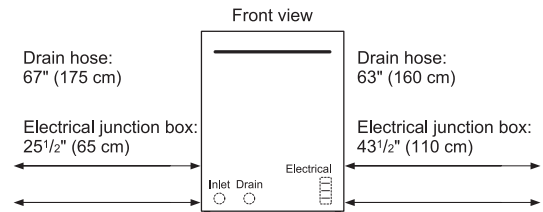
* measured from the bottom edge of the countertop panel thickness recommended 3/4" (20 mm).

This dishwasher can accept custom door panel weights ranging from 7 to 24 lbs; however, the dishwasher comes from the factory ready for custom panel door weights from 11 to 18 lbs. If you plan on using a door panel that is not 11 to 18 lbs. please contact customer service at (800) 944-2904.

** 24" (610 mm) wide panel may be used depending on cabinet design

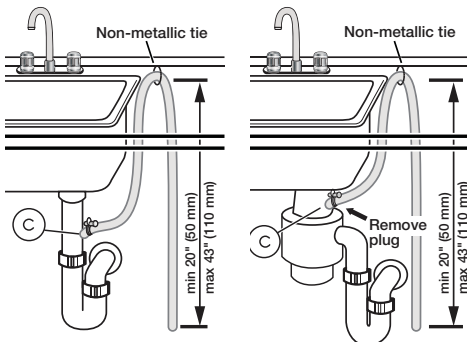
Note: Refer to installation template for mounting hardware locations measurements in inches (mm)

Water and Electrical Locations



All connections are at the rear of the appliance. Extension for drain hose available as accessory. Power cord for connection to electrical outlet (3-prong plug) available as accessory.

Plumbing

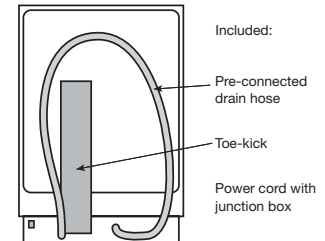


Note: Plumbing installations will vary - refer to local codes. Drain hose included is 79 (201 cm) and can be extended to a maximum of 155 3/4" (396 cm).

Always use the approved drain hose extension kit (SGZ1010UC).

Ensure a portion of the drain hose is raised between min. 20" (50 cm) and max. 43" (110 cm) above the cabinet floor.

Included Parts & Accessories



Benchmark® Dishwashers



- Benchmark®** + 239 kWh / Year
SHE9PT55UC • Flexible 3rd Rack
SHX9PT55UC + Alternating Tines
SHV9PT53UC • Manufactured in Germany

- Benchmark®** +38 dBA
SHX9PT75UC • Manufactured in Germany

+ Indicates a step-up feature

Recessed Handle – SHE9PT55UC
 Bar Handle – SHX9PT55UC
 Custom Panel – SHV9PT53UC

Bar Handle – SHX9PT75UC

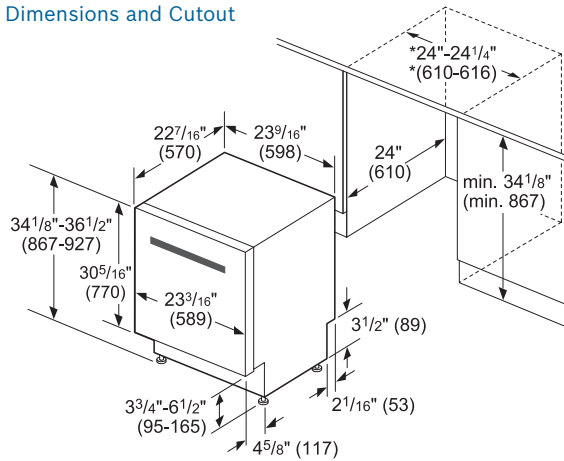
General Properties		
Number of wash cycles / options	6 / 5	6 / 5
dBA	39	38
Third rack	Flexible	Flexible
Rack adjustability	RackMatic®	RackMatic®
Tub material	Stainless steel	Stainless steel
Control type	SteelTouch control	SteelTouch control
Concealed heating element	Yes	Yes
Leak protection system	24/7 AquaStop® Plus	24/7 AquaStop® Plus
Water softener	Yes	Yes
Five-level wash	Yes	Yes
ChildLock	No	No
TFT display	Recessed handle model only	No
InfoLight®	Bar handle and custom panel models only	Yes
Special features	Made in Germany, alternating folding tines, flexible silverware basket, SpeedPerfect®	Made in Germany, interior light, alternating folding tines, flexible silverware basket, SpeedPerfect®
Efficiency and Capacity		
Water usage per cycle	2.2	2.2
Energy efficiency class	Tier 1	Tier 1
ENERGY STAR® qualified	Yes	Yes
Total annual energy / water consumption	239 kWh / 624 g	239 kWh / 624 g
Number of place settings	15	15
Technical Data		
Watts (W)	1300 W	1300 W
Current (A) / Volts (V) / Frequency (Hz)	12 A / 120 V / 60 Hz	12 A / 120 V / 60 Hz
Power cord length	63"	63"
Minimum water pressure (lb / sin)	7	7
Length outlet hose (in)	55" / 63"	55" / 63"
Dimensions & Weight		
Overall appliance dimensions (HxWxD) (in)	Recessed and bar handle: 34 1/8" x 23 9/16" x 22 7/16" (Custom panel D: 21 5/8")	34 1/8" x 23 9/16" x 22 7/16"
Required cutout size (HxWxD) (in)	34 1/8" x 24" x 24"	34 1/8" x 24" x 24"
Adjustable feet	Yes	Yes
Net weight (lbs)	118 / 121 / 113 lbs	120 lbs

Optional Accessories

SGZ9091UC Softener Salt (4.4 lbs)	SGZ1010UC Drain Hose Extension Kit 76 3/4"	SMZ5000 Accessory Kit	SMZ5002UC Anti-Tarnish Silverware Cassette	SHZ1008UC Stainless Steel Door with Stainless Steel Straight Bar Handle
---	---	---------------------------------	---	--

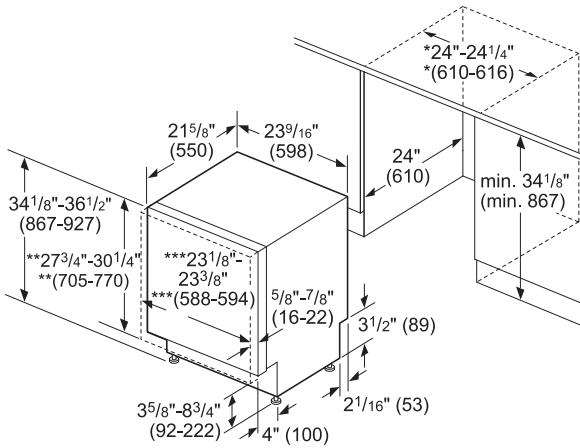
Benchmark® Dishwashers

Dimensions and Cutout



*23⁵/₈" (600) without decor strips measurements in inches (mm)

Custom Panel – Dimensions and Cutout



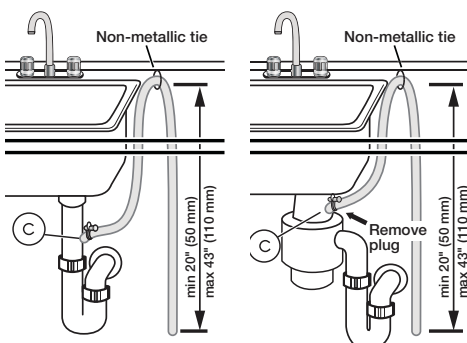
* 23⁵/₈" (600 mm) without decor strips
 ** measured from the bottom edge of the countertop panel thickness recommended 3/4" (20 mm).

This dishwasher can accept custom door panel weights ranging from 7 to 24 lbs; however, the dishwasher comes from the factory ready for custom panel door weights from 11 to 18 lbs. If you plan on using a door panel that is not 11 to 18 lbs. please contact customer service at (800) 944-2904.

*** 24" (610 mm) wide panel may be used depending on cabinet design

Note: Refer to installation template for mounting hardware locations
 measurements in inches (mm)

Plumbing

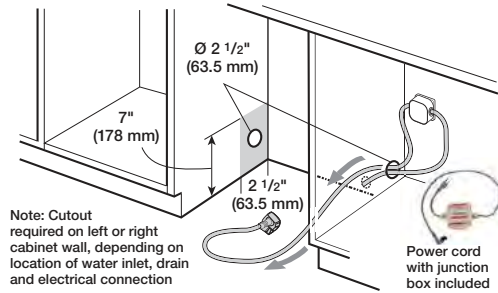


Note: Plumbing installations will vary - refer to local codes. Drain hose included is 88 5/8" (225 cm) and can be extended to a maximum of 165 3/8" (420 cm).

Always use the approved drain hose extension kit (SGZ1010UC).

Ensure a portion of the drain hose is raised between min. 20" (50 cm) and max. 43" (110 cm) above the cabinet floor.

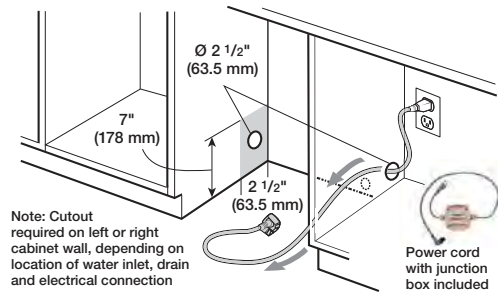
Example of Hardwire Installation



Note: Cutout required on left or right cabinet wall, depending on location of water inlet, drain and electrical connection

Power cord with junction box included

Example of Electrical Receptacle Installation



Note: Cutout required on left or right cabinet wall, depending on location of water inlet, drain and electrical connection

Power cord with junction box included

Water and Electrical Locations

Drain hose: 63" (160 cm)

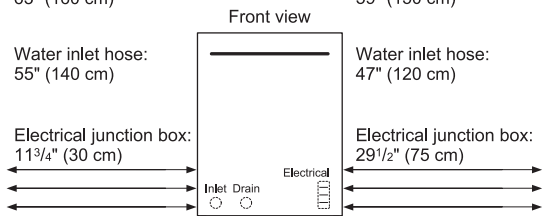
Drain hose: 59" (150 cm)

Water inlet hose: 55" (140 cm)

Water inlet hose: 47" (120 cm)

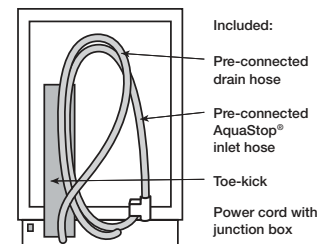
Electrical junction box: 11 3/4" (30 cm)

Electrical junction box: 29 1/2" (75 cm)



All connections are at the rear of the appliance.
 Extension for drain hose available as accessory.
 Power cord for connection to electrical outlet (3-prong plug) available as accessory.

Included Parts & Accessories



Included:

Pre-connected drain hose

Pre-connected AquaStop® inlet hose

Toe-kick

Power cord with junction box

Ascenta® Dishwashers



- Ascenta®**
- 50 dBA
 - *SHE3AR7_UC • 6 Cycles / 2 Options
 - *SHX3AR7_UC • Racks with Manual Height Adjustment



- Ascenta®**
- + 46 dBA
 - *SHS5AV5_UC + RackMatic® Height Adjustable System
 - *SHX5AV5_UC + InfoLight®



- Ascenta® DLX**
- + 5 Cycles / 5 Options
 - *SHS5AVL_UC + ExtraScrub Option
 - SHX5AVL5UC

- + Indicates a step-up feature
- * Multiple colors available. See color chips to fill in missing digit.

	Ascenta®	Ascenta®	Ascenta® DLX
	Recessed Handle – SHE3AR7_UC Bar Handle – SHX3AR7_UC	Scoop Handle – SHS5AV5_UC Bar Handle – SHX5AV5_UC	Scoop Handle – SHS5AVL_UC Bar Handle – SHX5AVL5UC
General Properties			
Number of wash cycles / options	6 / 2	Scoop handle: 6 / 2 Bar handle: 5 / 4	5 / 5
dBA	50	46	46
Third rack	No	No	No
Rack adjustability	Manual	RackMatic®	RackMatic®
Tub material	Stainless steel / polypropylene	Stainless steel with polypropylene	Stainless steel with polypropylene
Control type	Buttons	Buttons	Buttons
Concealed heating element	Yes	Yes	Yes
Leak protection system	24/7 Overflow protection	24/7 Overflow protection	24/7 Overflow protection
Water softener	No	No	No
Five-level wash	Yes	Yes	Yes
ChildLock	Recessed handle model only	No	No
TFT display	No	No	No
InfoLight®	No	Yes	Yes
Special features	N/A	InfoLight®	ExtraScrub option
Efficiency and Capacity			
Water usage per cycle	3.2	3.2	3.2
Energy efficiency class	Tier 1	Tier 1	Tier 1
ENERGY STAR® qualified	Yes	Yes	Yes
Total annual energy / water consumption	269 kWh / 688 g	269 kWh / 688 g	269 kWh / 688 g
Number of place settings	14	14	14
Technical Data			
Watts (W)	1400 W	1300 W	1300 W
Current (A) / Volts (V) / Frequency (Hz)	12 A / 120 V / 60 Hz	12 A / 120 V / 60 Hz	12 A / 120 V / 60 Hz
Power cord length	N/A	N/A	N/A
Minimum water pressure (lb / sin)	15	15	15
Length outlet hose (in)	N/A / 90 1/2"	N/A / 90 1/2"	N/A / 90 1/2"
Dimensions & Weight			
Overall appliance dimensions (HxWxD) (in)	33 7/8" x 23 9/16" x 23 3/4"	33 7/8" x 23 9/16" x 23 3/4"	33 7/8" x 23 9/16" x 23 3/4"
Required cutout size (HxWxD) (in)	33 7/8" x 24" x 24"	33 7/8" x 23 5/8" x 24"	33 7/8" x 23 5/8" x 24"
Adjustable feet	Yes	Yes	Yes
Net weight (lbs)	69 / 71 lbs	68 / 69 lbs	68 / 69 lbs

Optional Accessories

SGZ1010UC
Drain Hose Extension 76 3/4"

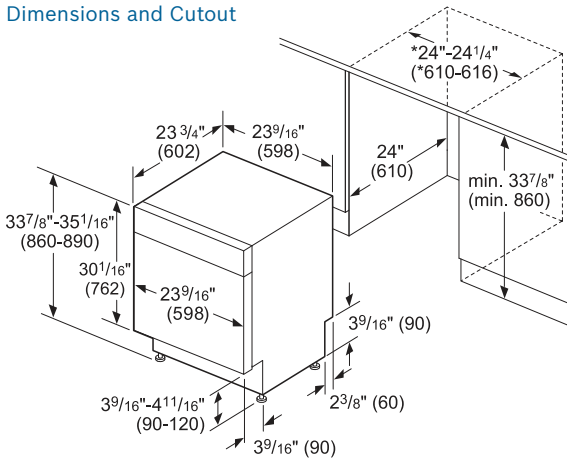
SGZPC001UC
3-Prong Power Cord 55 1/4"

SGZ1052UC
Accessory Kit

SMZ4000UC
DoubleFlex Silverware Basket

Ascenta® Dishwashers

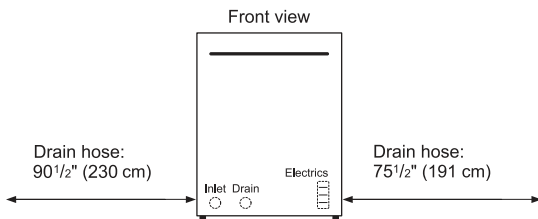
Dimensions and Cutout



*23⁵/₈" (600) without decor strips

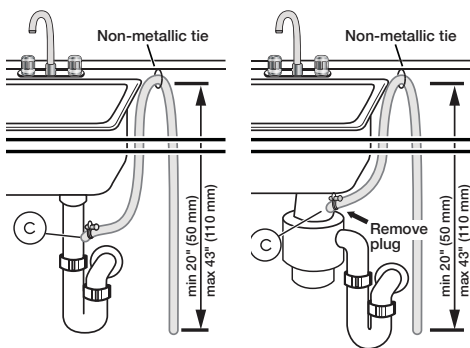
measurements in inches (mm)

Water and Electrical Locations



The electrical junction box and water inlet are at the front of the appliance, the drain at the rear.

Plumbing



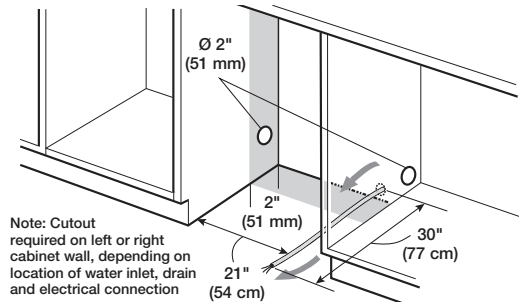
Note: Plumbing installations will vary - refer to local codes.

Drain hose included is 90 1/2" (230 cm) and can be extended to a maximum of 168 1/2" (428 cm).

Always use the approved drain hose extension kit (SGZ1010UC).

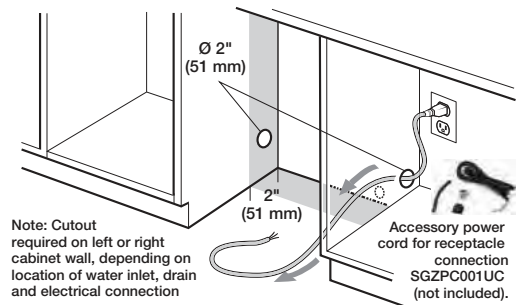
Ensure a portion of the drain hose is raised between min. 20" (50 cm) and max. 43" (110 cm) above the cabinet floor.

Example of Hardwire Installation



Note: Cutout required on left or right cabinet wall, depending on location of water inlet, drain and electrical connection

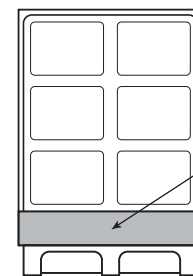
Example of Electrical Receptacle Installation



Note: Cutout required on left or right cabinet wall, depending on location of water inlet, drain and electrical connection

Accessory power cord for receptacle connection SGZPC001UC (not included).

Included Parts & Accessories



Included:
Drain hose
Toe-kick

300 Series / DLX Dishwashers



- 300 Series +44 dBA
- *SHEM63W5_N +Standard 3rd Rack
- *SHSM63W5_N +FlexSpace™ Tines
- SHXM63W55N +Speed60®
- SHVM63W53N +16 Place Settings
- +24/7 AquaStop®

- 300 Series +Water Softener
- SHXM63WS5N +Touch Control

- 300 Series DLX +ExtraScrub Option
- *SHS863WD_N +DoubleFlex
- SHX863WD5N Silverware Basket
- SHV863WD3N

+ Indicates a step-up feature
 * Multiple colors available. See color chips to fill in missing digit.

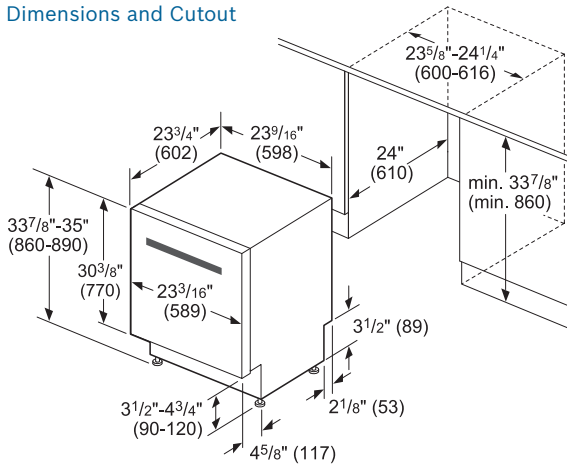
300 Series	300 Series	300 Series DLX
Recessed Handle – SHEM63W5_N Scoop Handle – SHSM63W5_N Bar Handle – SHXM63W55N Custom Panel – SHVM63W53N	Bar Handle – SHXM63WS5N	Scoop Handle – SHS863WD_N Bar Handle – SHX863WD5N Custom Panel – SHV863WD3N

General Properties			
Number of wash cycles / options	5 / 4	5 / 4	5 / 5
dBA	44	44	44
Third rack	Standard 3rd rack	Standard 3rd rack	Standard 3rd rack
Rack adjustability	RackMatic®	RackMatic®	RackMatic®
Tub material	Stainless steel	Stainless steel	Stainless steel
Control type	Buttons	Touch control	Buttons
Concealed heating element	Yes	Yes	Yes
Leak protection system	24/7 AquaStop®	24/7 AquaStop®	24/7 AquaStop®
Water softener	No	Yes	No
Five-level wash	Yes	Yes	Yes
ChildLock	Recessed handle model only	No	No
InfoLight®	Scoop / bar handle and custom panel models only	Yes	Yes
Special features	Extra dry option, Speed60®	InfoLight®, water softener	InfoLight®, extra dry option
Efficiency and Capacity			
Water usage per cycle	3.5	3.5	3.5
Energy efficiency class	Tier 1	Tier 1	Tier 1
ENERGY STAR® qualified	Yes	Yes	Yes
Total annual energy / water consumption	269 kWh / 623.5 g	269 kWh / 623.5 g	269 kWh / 623.5 g
Number of place settings	16	16	16
Technical Data			
Watts (W)	1440 W	1440 W	1440 W
Current (A) / Volts (V) / Frequency (Hz)	12 A / 120 V / 60 Hz	12 A / 120 V / 60 Hz	12 A / 120 V / 60 Hz
Power cord length	N/A	N/A	N/A
Minimum water pressure (lb / sin)	14	14	14
Length outlet hose (in)	79"	79"	79"
Dimensions & Weight			
Overall appliance dimensions (HxWxD) (in)	33 7/8" x 23 9/16" x 23 3/4" (Custom panel D: 23 1/16")	33 7/8" x 23 9/16" x 23 3/4"	33 7/8" x 23 9/16" x 23 1/16"
Required cutout size (HxWxD) (in)	33 7/8" x 23 5/8" x 24"	33 7/8" x 23 5/8" x 24"	33 7/8" x 23 5/8" x 24"
Adjustable feet	Yes	Yes	Yes
Net weight (lbs)	91 / 91 / 91 / 88 lbs	95 lbs	91 / 88 lbs

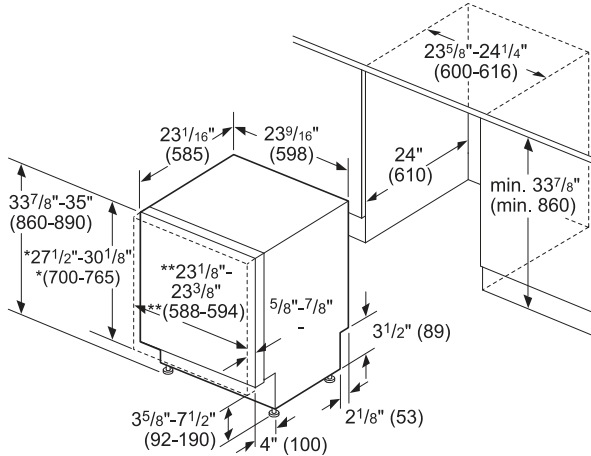
Optional Accessories							
SGZ9091UC Softener Salt (4.4 lbs)	SGZ1010UC Drain Hose Extension	SMZPC002UC Power Cord with Cold Plug	SMZ5000 Accessory Kit	SMZ4000UC Silverware Basket US Duo	SMZ5002UC Anti-Tarnish Silverware Cassette	SHZ1008UC Stainless Steel Door with Stainless Steel Straight Bosch Bar Handle	SMZ1007UC Stainless Steel Straight Bosch Bar Handle

300 Series / DLX Dishwashers

Dimensions and Cutout



Custom Panel – Dimensions and Cutout



* measured from the bottom edge of the countertop panel thickness recommended 3/4" (20 mm).

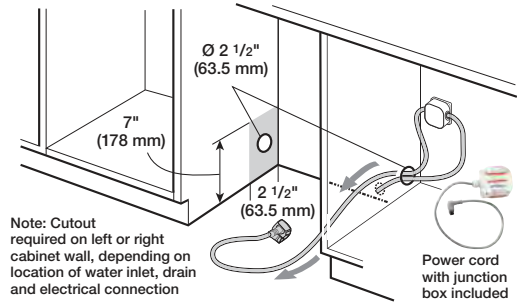
This dishwasher can accept custom door panel weights ranging from 7 to 24 lbs; however, the dishwasher comes from the factory ready for custom panel door weights from 11 to 18 lbs.

If you plan on using a door panel that is not 11 to 18 lbs. please contact customer service at (800) 944-2904.

** 24" (610 mm) wide panel may be used depending on cabinet design

Note: Refer to installation template for mounting hardware locations measurements in inches (mm)

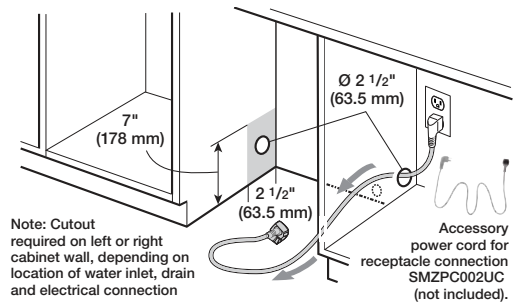
Example of Hardwire Installation



Note: Cutout required on left or right cabinet wall, depending on location of water inlet, drain and electrical connection

Power cord with junction box included

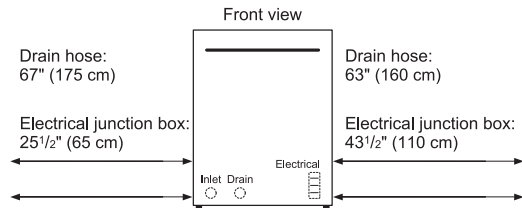
Example of Electrical Receptacle Installation



Note: Cutout required on left or right cabinet wall, depending on location of water inlet, drain and electrical connection

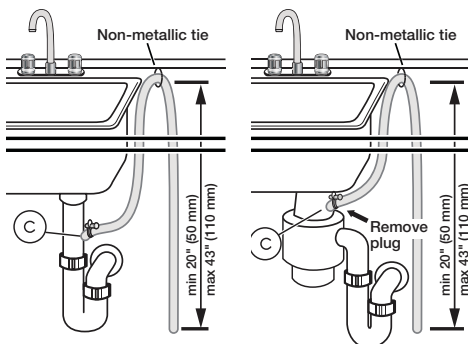
Accessory power cord for receptacle connection SMZPC002UC (not included).

Water and Electrical Locations



All connections are at the rear of the appliance. Extension for drain hose available as accessory. Power cord for connection to electrical outlet (3-prong plug) available as accessory.

Plumbing

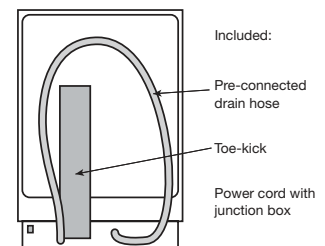


Note: Plumbing installations will vary - refer to local codes. Drain hose included is 79 (201 cm) and can be extended to a maximum of 155 3/4" (396 cm).

Always use the approved drain hose extension kit (SGZ1010UC).

Ensure a portion of the drain hose is raised between min. 20" (50 cm) and max. 43" (110 cm) above the cabinet floor.

Included Parts & Accessories



500 Series / DLX Dishwashers



- 500 Series**
- 44dBA
 - *SHPM65W5_N + Pocket Handle Design
 - SHXM65W55N + Flexible 3rd Rack
 - + EasyGlide™ Rack System Upper Rack



- 500 Series DLX**
- + ExtraScrub Option
 - *SHP865WD_N + DoubleFlex Silverware Basket

+ Indicates a step-up feature

* Multiple colors available. See color chips to fill in missing digit.

	500 Series	500 Series DLX
	Pocket Handle – SHPM65W5_N Bar Handle – SHXM65W55N	Pocket Handle – SHP865WD_N
General Properties		
Number of wash cycles / options	5 / 5	5 / 5
dBA	44	44
Third rack	Flexible 3rd rack	Flexible 3rd rack
Rack adjustability	RackMatic®	RackMatic®
Tub material	Stainless steel	Stainless steel
Control type	Buttons	Buttons
Concealed heating element	Yes	Yes
Leak protection system	24/7 AquaStop®	24/7 AquaStop®
Water softener	No	No
Five-level wash	Yes	Yes
ChildLock	No	No
TFT display	No	No
InfoLight®	Yes	Yes
Special features	InfoLight®, extra dry option	InfoLight®, extra dry option
Efficiency and Capacity		
Water usage per cycle	2.9	2.9
Energy efficiency class	Tier 1	Tier 1
ENERGY STAR® qualified	Yes	Yes
Total annual energy / water consumption	269 kWh / 623.5 g	269 kWh / 623.5 g
Number of place settings	16	16
Technical Data		
Watts (W)	1440 W	1440 W
Current (A) / Volts (V) / Frequency (Hz)	12 A / 120 V / 60 Hz	12 A / 120 V / 60 Hz
Power cord length	N/A	N/A
Minimum water pressure (lb / sin)	14	14
Length outlet hose (in)	79"	79"
Dimensions & Weight		
Overall appliance dimensions (HxWxD) (in)	33 7/8" x 23 9/16" x 23 3/4"	33 7/8" x 23 9/16" x 23 3/4"
Required cutout size (HxWxD) (in)	33 7/8" x 23 5/8" x 24"	33 7/8" x 23 5/8" x 24"
Adjustable feet	Yes	Yes
Net weight (lbs)	91 lbs	91 lbs

Optional Accessories

SGZ1010UC
Drain Hose Extension Kit

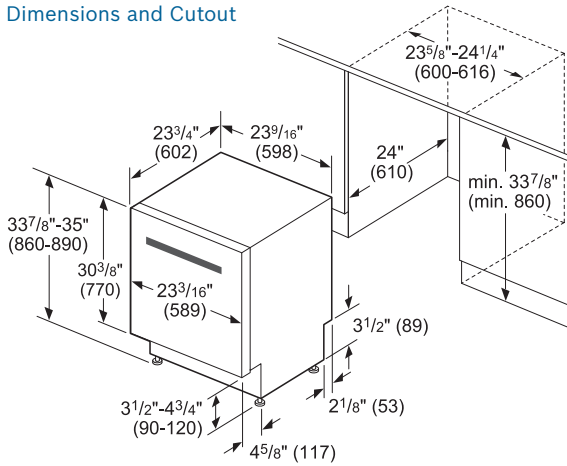
SMZPC002UC
Power Cord with Cold Plug

SMZ5000
Accessory Kit

SMZ5002UC
Anti-Tarnish Silverware Cassette

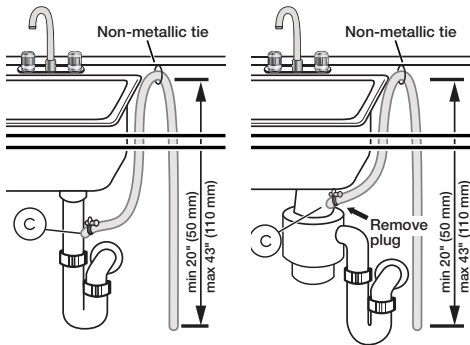
500 Series / DLX Dishwashers

Dimensions and Cutout



measurements in inches (mm)

Plumbing

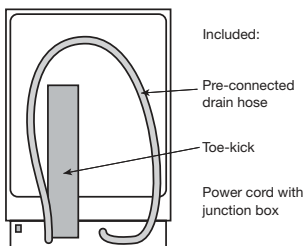


Note: Plumbing installations will vary - refer to local codes. Drain hose included is 79 (201 cm) and can be extended to a maximum of 155 3/4\" (396 cm).

Always use the approved drain hose extension kit (SGZ1010UC).

Ensure a portion of the drain hose is raised between min. 20\" (50 cm) and max. 43\" (110 cm) above the cabinet floor.

Included Parts & Accessories



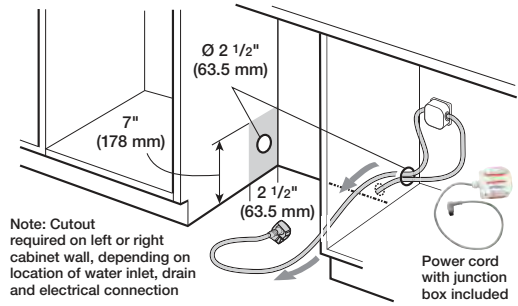
Included:

Pre-connected drain hose

Toe-kick

Power cord with junction box

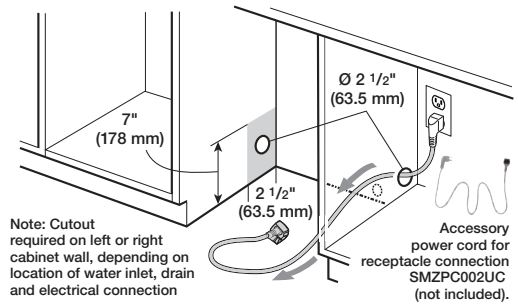
Example of Hardwire Installation



Note: Cutout required on left or right cabinet wall, depending on location of water inlet, drain and electrical connection

Power cord with junction box included

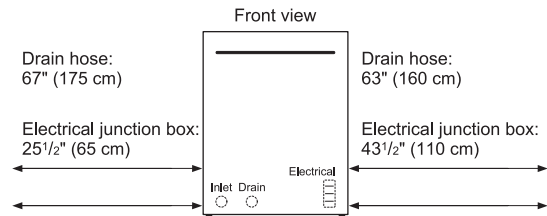
Example of Electrical Receptacle Installation



Note: Cutout required on left or right cabinet wall, depending on location of water inlet, drain and electrical connection

Accessory power cord for receptacle connection SMZPC002UC (not included).

Water and Electrical Locations



Drain hose: 67\" (175 cm)

Drain hose: 63\" (160 cm)

Electrical junction box: 25 1/2\" (65 cm)

Electrical junction box: 43 1/2\" (110 cm)

All connections are at the rear of the appliance. Extension for drain hose available as accessory. Power cord for connection to electrical outlet (3-prong plug) available as accessory.

800 Series / DLX Dishwashers



5
2
6

800 Series +42 dBA
 *SHEM78W5_N +Touch Control
 *SHPM78W5_N Technology
 SHXM78W5_N +6 Cycles / 5 Options
 SHVM78W53N



5
2
6

800 Series DLX +ExtraScrub Option
 *SHE878WD_N +DoubleFlex
 *SHP878WD_N Silverware Basket
 *SHX878WD_N
 SHV878WD3N



800 Series Premium +39 dBA (Custom
 Panel Model is
 40 dBA)
 SHPM98W75N +MyWay™ Rack
 SHXM98W75N
 SHVM98W73N +6 Cycles / 6 Options

+ Indicates a step-up feature
 * Multiple colors available. See color chips to fill in missing digit.

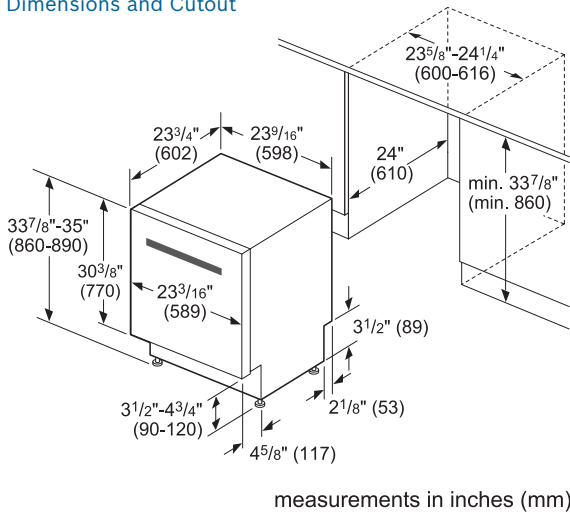
800 Series	800 Series DLX	800 Series Premium
Recessed Handle – SHEM78W5_N Pocket Handle – SHPM78W5_N Bar Handle – SHXM78W5_N Custom Panel – SHVM78W53N	Recessed Handle – SHE878WD_N Pocket Handle – SHP878WD_N Bar Handle – SHX878WD_N Custom Panel – SHV878WD3N	Pocket Handle – SHPM98W75N Bar Handle – SHXM98W75N Custom Panel – SHVM98W73N

General Properties			
Number of wash cycles / options	6 / 5	6 / 6	6 / 6
dBA	42	42	39 / 39 / 40
Third rack	Flexible 3rd rack	Flexible 3rd rack	MyWay™ Rack
Rack adjustability	RackMatic®	RackMatic®	RackMatic®
Tub material	Stainless steel	Stainless steel	Stainless steel
Control type	Touch control	Touch control	Touch control
Concealed heating element	Yes	Yes	Yes
Leak protection system	24/7 AquaStop®	24/7 AquaStop®	24/7 AquaStop®
Water softener	No	No	No
Five-level wash	Yes	Yes	Yes
ChildLock	Recessed handle model only	Recessed handle model only	No
InfoLight®	Pocket, bar handle and custom panel models only	Pocket, bar handle and custom panel models only	Yes
Special features	Extra dry option	InfoLight®, extra dry option	InfoLight®, extra dry option
Efficiency and Capacity			
Water usage per cycle	2.9	2.9	2.9
Energy efficiency class	Tier 1	Tier 1	Tier 1
ENERGY STAR® qualified	Yes	Yes	Yes
Total annual energy / water consumption	269 kWh / 623.5 g	269 kWh / 623.5 g	269 kWh / 623.5 g
Number of place settings	16	16	16
Technical Data			
Watts (W)	1440 W	1440 W	1440 W
Current (A) / Volts (V) / Frequency (Hz)	12 A / 120 V / 60 Hz	12 A / 120 V / 60 Hz	12 A / 120 V / 60 Hz
Power cord length	N/A	N/A	N/A
Minimum water pressure (lb / sin)	14	14	14
Length outlet hose (in)	79"	79"	79"
Dimensions & Weight			
Overall appliance dimensions (HxWxD) (in)	33 7/8" x 23 9/16" x 23 3/4" (Custom panel D: 23 1/16")	33 7/8" x 23 9/16" x 23 3/4" (Custom panel D: 23 1/16")	33 7/8" x 23 9/16" x 23 3/4" (Custom panel D: 23 1/16")
Required cutout size (HxWxD) (in)	33 7/8" x 23 5/8" x 24"	33 7/8" x 23 5/8" x 24"	33 7/8" x 23 5/8" x 24"
Adjustable feet	Yes	Yes	Yes
Net weight (lbs)	92 / 92 / 92 / 89 lbs	92 / 89 lbs	105 / 105 / 102 lbs

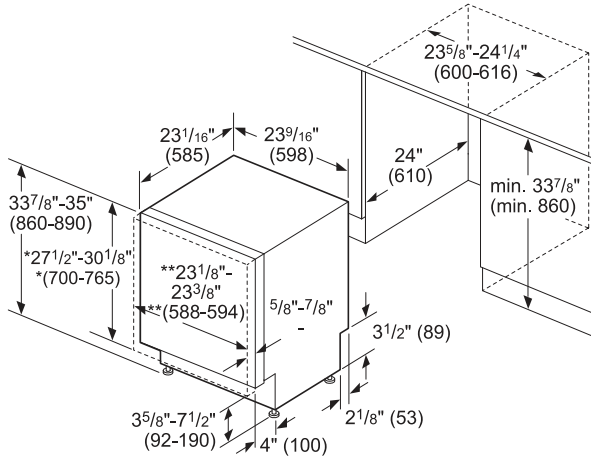
Optional Accessories						
SGZ1010UC Drain Hose Extension Kit	SMZPC002UC Power Cord with Cold Plug	SMZ5000 Accessory Kit	SGZ9091UC Softener Salt (4.4 lbs)	SMZ5002UC Anti-Tarnish Silverware Cassette	SMZ1007UC Stainless Steel Straight Bosch Bar Handle	SMZ4026 Silverware Insert for MyWay™ Rack

800 Series / DLX Dishwashers

Dimensions and Cutout



Custom Panel – Dimensions and Cutout



* measured from the bottom edge of the countertop panel thickness recommended 3/4" (20 mm).

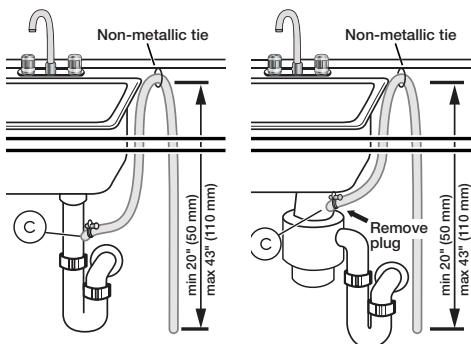
This dishwasher can accept custom door panel weights ranging from 7 to 24 lbs; however, the dishwasher comes from the factory ready for custom panel door weights from 11 to 18 lbs.

If you plan on using a door panel that is not 11 to 18 lbs. please contact customer service at (800) 944-2904.

** 24" (610 mm) wide panel may be used depending on cabinet design

Note: Refer to installation template for mounting hardware locations measurements in inches (mm)

Plumbing

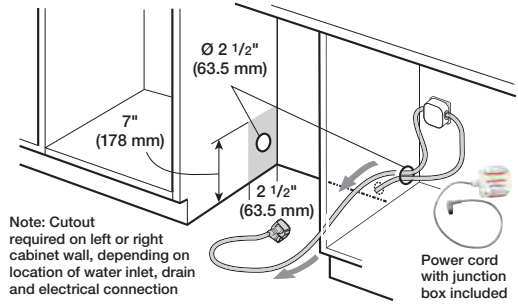


Note: Plumbing installations will vary - refer to local codes. Drain hose included is 79 (201 cm) and can be extended to a maximum of 155 3/4" (396 cm).

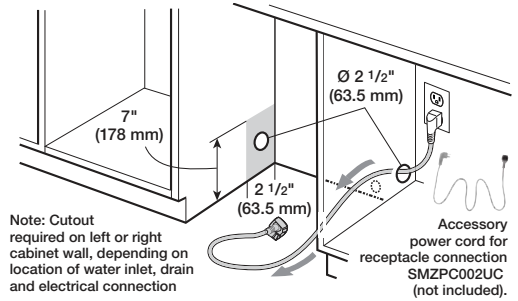
Always use the approved drain hose extension kit (SGZ1010UC).

Ensure a portion of the drain hose is raised between min. 20" (50 cm) and max. 43" (110 cm) above the cabinet floor.

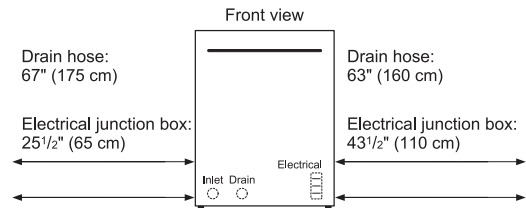
Example of Hardwire Installation



Example of Electrical Receptacle Installation

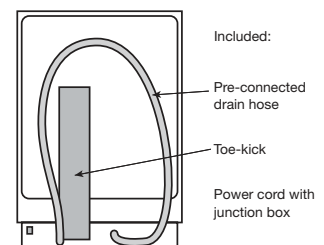


Water and Electrical Locations



All connections are at the rear of the appliance. Extension for drain hose available as accessory. Power cord for connection to electrical outlet (3-prong plug) available as accessory.

Included Parts & Accessories



800 Series Dishwasher



- 800 Series with Home Connect™ SHEM78WH5N
- 42 dBA
 - Flexible 3rd Rack
 - + Home Connect™
 - + Water Softener
 - + 24/7 AquaStop® Plus

+ Indicates a step-up feature

800 Series with Home Connect™	
Recessed Handle – SHEM78WH5N	
General Properties	
Number of wash cycles / options	8 / 7
dBA	42
Third rack	Flexible 3rd rack
Rack adjustability	RackMatic®
Tub material	Stainless steel
Control type	Touch control
Concealed heating element	Yes
Leak protection system	24/7 AquaStop® Plus
Water softener	Yes
Five-level wash	Yes
ChildLock	No
InfoLight®	No
Special features	Home Connect™ (WiFi enabled)
Efficiency and Capacity	
Water usage per cycle	2.9
Energy efficiency class	Tier 1
ENERGY STAR® qualified	Yes
Total annual energy / water consumption	239 kWh / 623.5 g
Number of place settings	16
Technical Data	
Watts (W)	1440 W
Current (A) / Volts (V) / Frequency (Hz)	12 A / 120 V / 60 Hz
Power cord length	N/A
Minimum water pressure (lb / sin)	7
Length outlet hose (in)	79"
Dimensions & Weight	
Overall appliance dimensions (HxWxD) (in)	34 1/8" x 23 9/16" x 22 7/16"
Required cutout size (HxWxD) (in)	34 1/8" x 24" x 24"
Adjustable feet	Yes
Net weight (lbs)	112.9 lbs

Optional Accessories

SGZ1010UC
Drain Hose
Extension Kit

SMZPC002UC
Power Cord with
Cold Plug

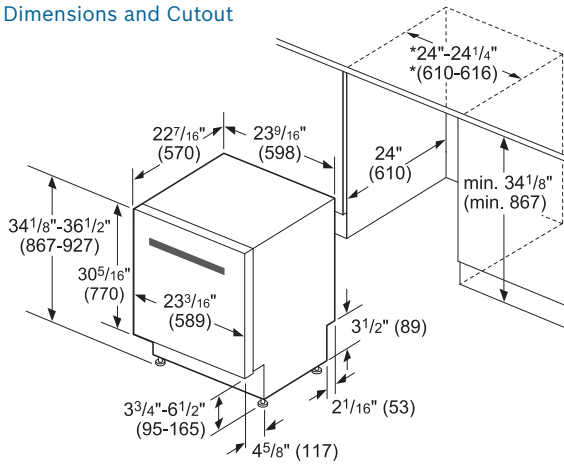
SMZ5000
Accessory Kit

SGZ9091UC
Softener Salt
(4.4 lbs)

SMZ5002UC
Anti-Tarnish Silverware
Cassette

800 Series Dishwasher

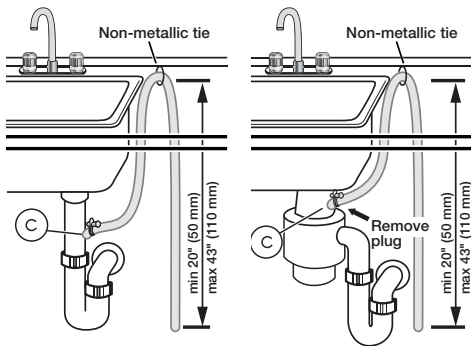
Dimensions and Cutout



*23 5/8" (600) without decor strips

measurements in inches (mm)

Plumbing

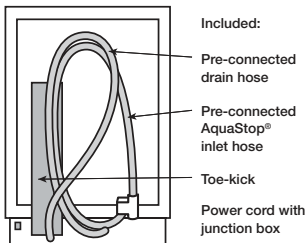


Note: Plumbing installations will vary - refer to local codes. Drain hose included is 88 5/8" (225 cm) and can be extended to a maximum of 165 3/8" (420 cm).

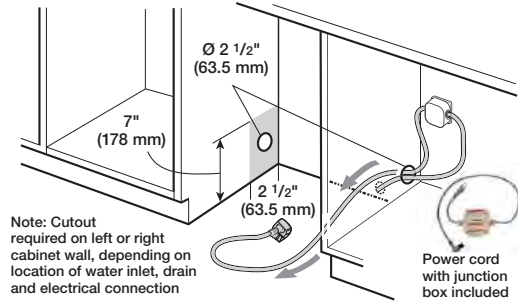
Always use the approved drain hose extension kit (SGZ1010UC).

Ensure a portion of the drain hose is raised between min. 20" (50 cm) and max. 43" (110 cm) above the cabinet floor.

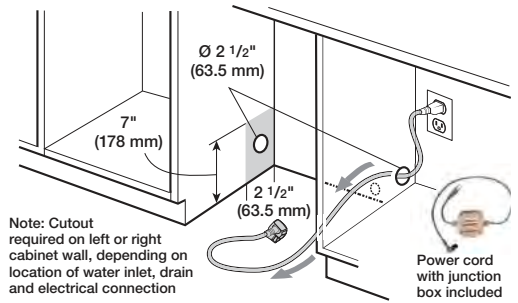
Included Parts & Accessories



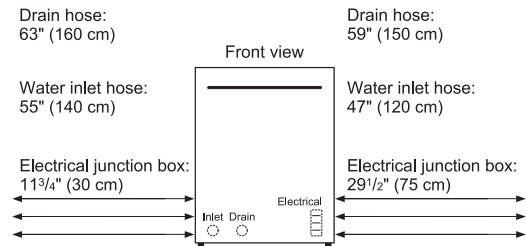
Example of Hardwire Installation



Example of Electrical Receptacle Installation



Water and Electrical Locations



All connections are at the rear of the appliance. Extension for drain hose available as accessory. Power cord for connection to electrical outlet (3-prong plug) available as accessory.

18-Inch ADA Special Application Dishwashers



- 18-Inch ADA 300 Series**
- 46 dBA
 - 4 Cycles / 4 Options
 - *SPE53U5_UC • Water Softener
 - 24/7 AquaStop® Plus
 - Delay Start Timer

- 18-Inch ADA 800 Series**
- + 44 dBA
 - + 6 Cycles / 5 Options
 - SPE68U55UC • Standard 3rd Rack
 - SPX68U55UC + Eco Cycle
 - SPV68U53UC

+ Indicates a step-up feature
 * Multiple colors available. See color chips to fill in missing digit.

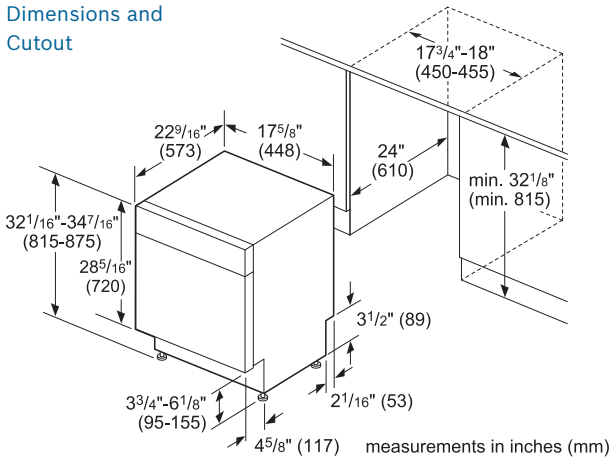
18-Inch ADA 300 Series	18-Inch ADA 800 Series
Recessed Handle – SPE53U5_UC	Recessed Handle – SPE68U55UC Bar Handle – SPX68U55UC Custom Panel – SPV68U53UC

General Properties		
Number of wash cycles / options	4 / 4	6 / 5
dBA	46	44
Third rack	No	Standard 3rd Rack
Rack adjustability	RackMatic®	RackMatic®
Tub material	Stainless steel	Stainless steel
Control type	Buttons	Buttons
Concealed heating element	Yes	Yes
Leak protection system	24/7 AquaStop® Plus	24/7 AquaStop® Plus
Water softener	Yes	Yes
Five-level wash	Yes	Yes
ChildLock	Yes	Recessed handle model only
InfoLight®	No	Bar handle / custom panel only
Special features	24h Delay start timer	InfoLight®, Eco Cycle
Efficiency and Capacity		
Water usage per cycle	3.0	3.0
Energy efficiency class	Tier 1	Tier 1
ENERGY STAR® qualified	Yes	Yes
Total annual energy / water consumption	259 kWh / 645 g	259 kWh / 645 g
Number of place settings	9	10
Technical Data		
Watts (W)	1300 W	1300 W
Current (A) / Volts (V) / Frequency (Hz)	12 A / 120 V / 60 Hz	12 A / 120 V / 60 Hz
Power cord length	68 7/8"	68 7/8"
Minimum water pressure (lb / sin)	7	7
Length outlet hose (in)	65" / 80 5/8"	65" / 80 5/8"
Dimensions & Weight		
ADA Compliant	Yes	Yes
Overall appliance dimensions (HxWxD) (in)	32 1/16" x 17 5/8" x 22 9/16"	Recessed handle: 32 1/16" x 17 5/8" x 22 9/16" (Bar handle D: 22 7/16", Custom panel D: 21 5/8")
Required cutout size (HxWxD) (in)	32 1/8" x 17 3/4" x 24"	32 1/8" x 17 3/4" x 24" (Custom panel D: 22 7/16")
Adjustable feet	Yes	Yes
Net weight (lbs)	72 lbs	76 / 79 / 75 lbs

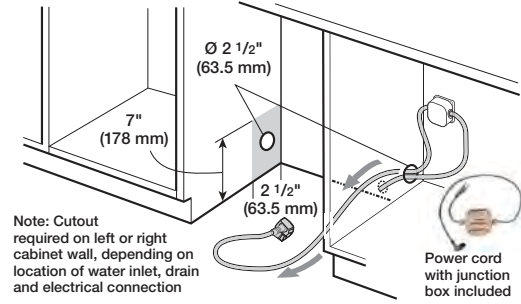
Optional Accessories			
SGZ9091UC Softener Salt (4.4 lbs)	SGZ1010UC Drain Hose Extension 76 3/4"	SMZ5000 Accessory Kit	SMZ5003 Hinge for 4" Toekick Height Installation

18-Inch ADA Special Application Dishwashers

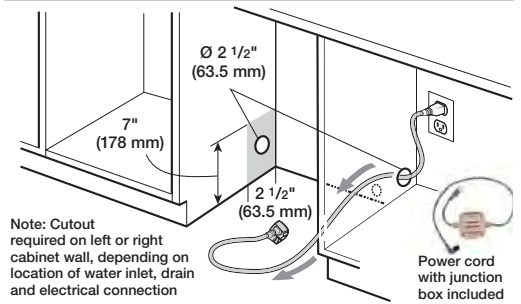
Dimensions and Cutout



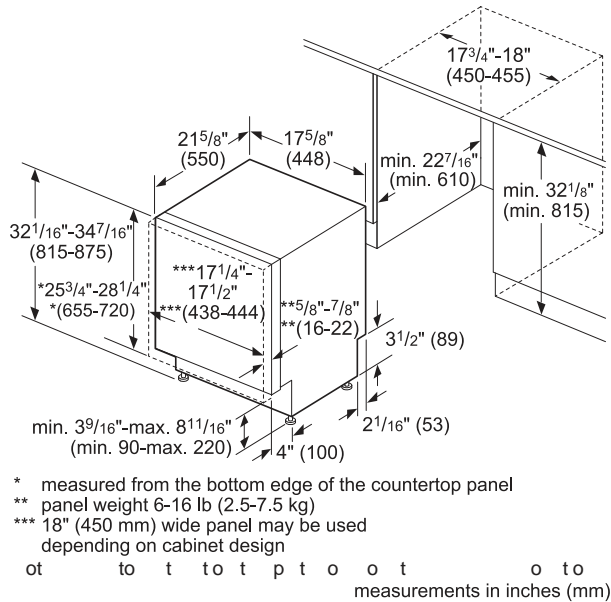
Example of Hardwire Installation



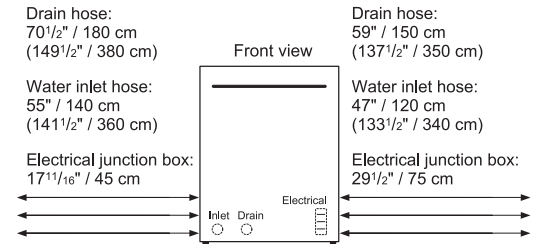
Example of Electrical Receptacle Installation



Custom Panel – Dimensions and Cutout

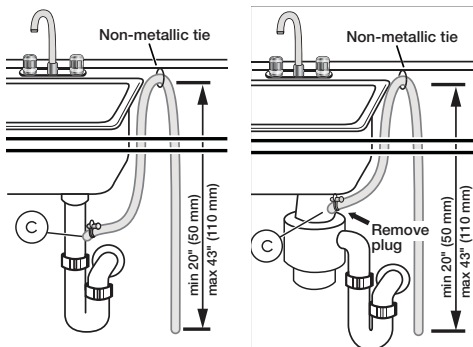


Water and Electrical Locations



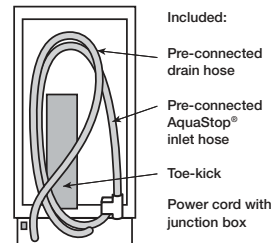
All connections at the rear of the appliance.
() values with extension kit.

Plumbing



Note: Plumbing installations will vary - refer to local codes. Drain hose included is 88 5/8" (225 cm) and can be extended to a maximum of 165 3/8" (420 cm). Always use the approved drain hose extension kit (SGZ1010UC). Ensure a portion of the drain hose is raised between min. 20" (50 cm) and max. 43" (110 cm) above the cabinet floor.

Included Parts & Accessories



24-Inch ADA Special Application Dishwashers



- 24-Inch ADA 300 Series
 *SGE53U5_UC
- 46 dBA
 - 4 Cycles / 4 Options
 - Water Softener
 - 24/7 AquaStop® Plus
 - Delay Start Timer



- 24-Inch ADA 800 Series
 SGE68U55UC
 SGX68U55UC
 SGV68U53UC
- + 44 dBA
 - + 6 Cycles / 5 Options
 - + Standard 3rd Rack
 - + Eco Cycle

+ Indicates a step-up feature
 * Multiple colors available. See color chips to fill in missing digit.

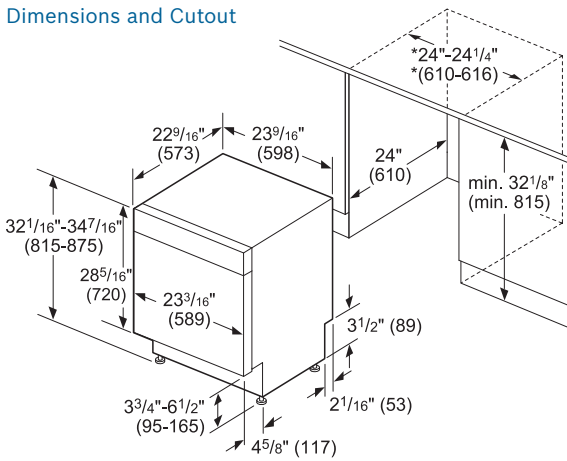
24-Inch ADA 300 Series	24-Inch ADA 800 Series
Recessed Handle – SGE53U5_UC	Recessed Handle – SGE68U55UC Bar Handle – SGX68U55UC Custom Panel – SGV68U53UC

General Properties		
Number of wash cycles / options	4 / 4	6 / 5
dBA	46	44
Third rack	No	Standard 3rd Rack
Rack adjustability	RackMatic®	RackMatic®
Tub material	Stainless steel	Stainless steel
Control type	Buttons	Buttons
Concealed heating element	Yes	Yes
Leak protection system	24/7 AquaStop® Plus	24/7 AquaStop® Plus
Water softener	Yes	Yes
Five-level wash	Yes	Yes
ChildLock	Yes	Recessed handle model only
InfoLight®	No	Bar handle / custom panel only
Special features	24h Delay start timer	Eco Cycle
Efficiency and Capacity		
Water usage per cycle	3.0	3.0
Energy efficiency class	Tier 1	Tier 1
ENERGY STAR® qualified	Yes	Yes
Total annual energy / water consumption	259 kWh / 645 g	259 kWh / 645 g
Number of place settings	14	15
Technical Data		
Watts (W)	1300 W	1300 W
Current (A) / Volts (V) / Frequency (Hz)	12 A / 120 V / 60 Hz	12 A / 120 V / 60 Hz
Power cord length	68 7/8"	68 7/8"
Minimum water pressure (lb / sin)	7	7
Length outlet hose (in)	65" / 74 7/8"	65" / 74 7/8"
Dimensions & Weight		
ADA compliant	Yes	Yes
Overall appliance dimensions (HxWxD) (in)	32 1/16" x 23 9/16" x 22 9/16"	32 1/16" x 23 9/16" x 22 9/16" (Custom panel D: 21 5/8")
Required cutout size (HxWxD) (in)	32 1/8" x 24" x 24"	32 1/8" x 24" x 24"
Adjustable feet	Yes	Yes
Net weight (lbs)	84 lbs	89 / 92 / 87 lbs

Optional Accessories			
SGZ9091UC Softener Salt (4.4 lbs)	SGZ1010UC Drain Hose Extension 76 3/4"	SMZ5000 Accessory Kit	SMZ5002UC Anti-tarnish Silverware Cassette

24-Inch ADA Special Application Dishwashers

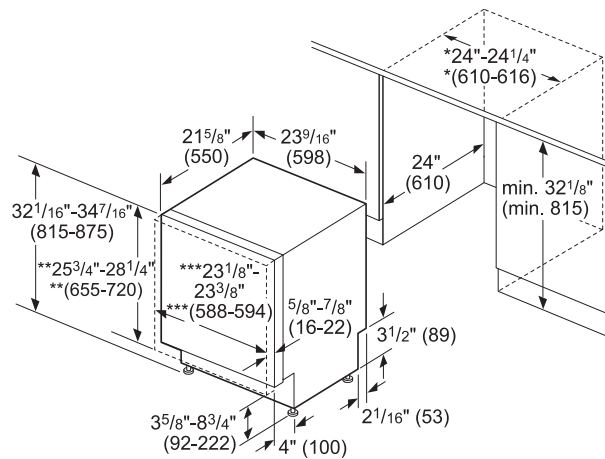
Dimensions and Cutout



* $23\frac{5}{8}$ " (600) without decor strips

measurements in inches (mm)

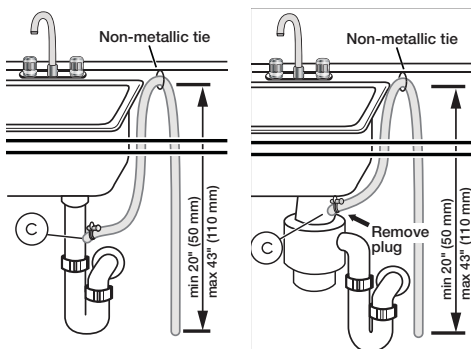
Custom Panel – Dimensions and Cutout



* $23\frac{5}{8}$ " (600 mm) without decor strips
 ** measured from the bottom edge of the countertop panel thickness recommended $\frac{3}{4}$ " (20 mm), panel weight 6-18 lbs (2.5-8.5 kg)
 *** 24" (610 mm) wide panel may be used depending on cabinet design

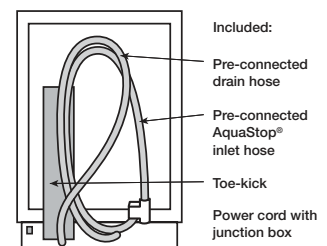
measurements in inches (mm)

Plumbing

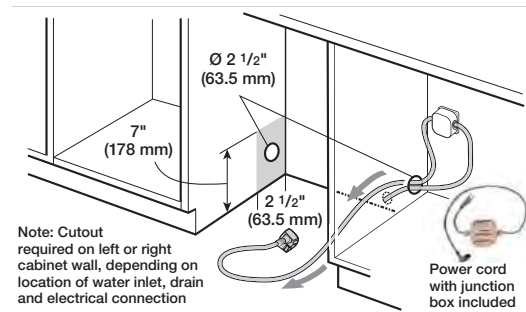


Note: Plumbing installations will vary - refer to local codes. Drain hose included is 88 $\frac{5}{8}$ " (225 cm) and can be extended to a maximum of 165 $\frac{3}{8}$ " (420 cm). Always use the approved drain hose extension kit (SGZ1010UC). Ensure a portion of the drain hose is raised between min. 20" (50 cm) and max. 43" (110 cm) above the cabinet floor.

Included Parts & Accessories

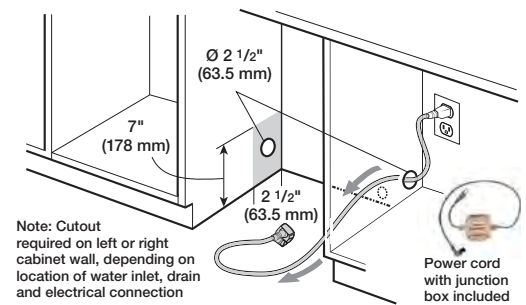


Example of Hardwire Installation



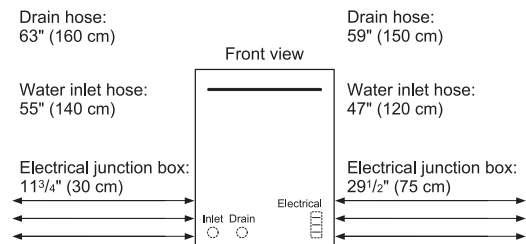
Note: Cutout required on left or right cabinet wall, depending on location of water inlet, drain and electrical connection

Example of Electrical Receptacle Installation



Note: Cutout required on left or right cabinet wall, depending on location of water inlet, drain and electrical connection

Water and Electrical Locations



All connections are at the rear of the appliance. Extension for drain hose available as accessory. Power cord for connection to electrical outlet (3-prong plug) available as accessory.

Refrigerators

Healthy living starts with consuming fresh ingredients, and our Bosch refrigerators are designed to keep foods at their optimal freshness, maintaining their intended nutrients and flavor. Bosch refrigerators feature VitaFresh® to preserve your favorite foods, by keeping fruits and vegetables fresher longer. Bosch refrigerators blend peacefully into any kitchen space and install as flush, counter or standard depths. Thoughtful features like premium tempered glass, hidden hinges and crisp LED lighting reveal a tangible level of quality enjoyed with everyday use.





Benchmark® Refrigerators



Beautiful flush design

The Bosch built-in refrigerator offers the ultimate integrated look for your kitchen. The unique Optiflex® hinge design allows for flush installation, for a true European-style integration with your kitchen cabinets.



Custom panel

Bosch offers custom panel refrigeration units, enabling each unit to seamlessly blend in with the kitchen cabinetry.



Flexible configurations

Bosch built-in refrigerators are designed to give you ultimate flexibility when designing your kitchen. Install a 36" French-Door Bottom Freezer unit or combine refrigerator and freezer columns for a larger 48" unit or an extra-large 60" double-fridge or fridge-freezer unit.



Dual compressors & evaporators

Bosch built-in refrigerators feature a separate compressor and evaporator in the refrigerator and freezer sections, optimizing freshness. Not only does it provide more accurate temperature and humidity control, it also helps to prevent freezer burn and odor transfer.



ENERGY STAR® qualified

Our energy efficient Benchmark® refrigerators are designed to use less energy without sacrificing features.





Benchmark® Built-in Single Door Refrigerators



Benchmark®
B30IR800SP
30" Built-in Custom Panel Single Door Refrigerator

- 29 3/4" x 84"
- Custom Panel Ready
- Installs Either Completely Flush or Framed
- LED Sidewall and Theater Lighting
- Optiflex® Hinge



Benchmark®
B18IF800SP
18" Built-in Custom Panel Single Door Freezer

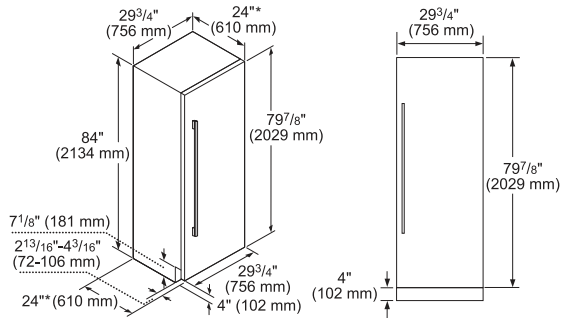
- 17 3/4" x 84"
- Custom Panel Ready
- Installs Either Completely Flush or Framed
- All-LED Sidewall and Theater Lighting
- Optiflex® Hinge



	30" Single Door Refrigerator	18" Single Door Freezer
	Custom Panel – B30IR800SP	Custom Panel – B18IF800SP
General Properties		
Reversible door hinge	Yes	Yes
Water filter	No	Yes
Lighting	LED sidewall and theater lighting	All-LED sidewall and theater lighting
Defrost process	Frost-free	Automatic
Number of shelves	7	6
Number of drawers	3	2
Shelf material	Glass w/metal trim	Glass w/metal trim, metal bin
Type of shelves	3 adjustable, 4 full width	2 adjustable, 4 full width
Gallon storage bins	Yes	N/A
Humidity control drawer	Yes	N/A
Ice maker	No	Yes
Quick ice	No	Yes
Capacity		
Total unit gross capacity (cu. ft.) – AHAM	17.2 cu. ft.	8.6 cu. ft.
Technical Details		
Watts (W)	180 W	367 W
Current (A)	15 A	15 A
Volts (V)	120 V	120 V
Frequency (Hz)	60 Hz	60 Hz
Power cord length (in.)	78 3/4"	78 3/4"
Plug type	3-Prong	3-Prong
Dimensions & Weight		
Appliance dimensions (HxWxD) (in.)	84" x 29 3/4" x 24 3/4"	84" x 17 3/4" x 24 3/4"
Required cutout size (HxWxD) (in.)	84" x 30" x 24 3/4" or 25"	84" x 18" x 24 3/4" or 25"
Net weight (lbs)	261 lbs	332 lbs
Efficiency		
ENERGY STAR® qualified	Yes	Yes
Energy consumption (kWh / yr)	310 kWh	443 kWh

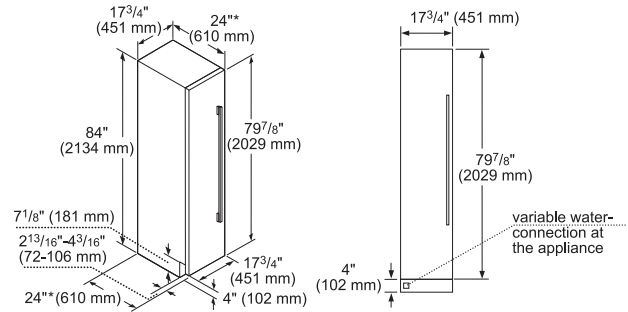
Benchmark® Built-in Single Door Refrigerators

B30IR800SP Dimensions



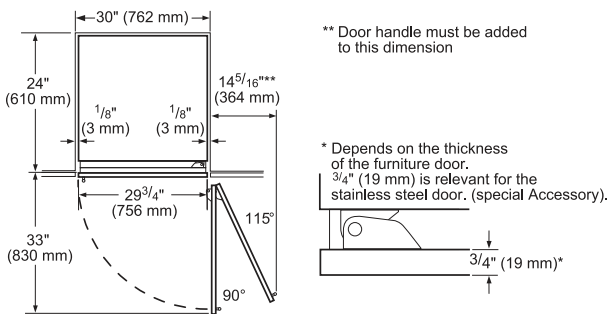
*Excludes thickness of door panel. If standard panel with 3/4" thickness is mounted, total depth is 24 3/4".

B18IF800SP Dimensions



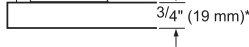
*Excludes thickness of door panel. If standard panel with 3/4" thickness is mounted, total depth is 24 3/4".

B30IR800SP Dimensions (Overhead View)

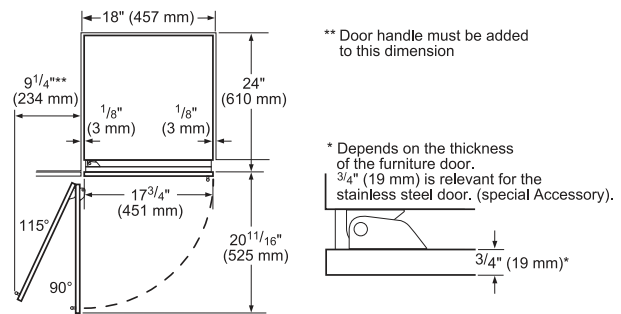


** Door handle must be added to this dimension

* Depends on the thickness of the furniture door. 3/4" (19 mm) is relevant for the stainless steel door. (special Accessory).

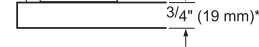


B18IF800SP Dimensions (Overhead View)

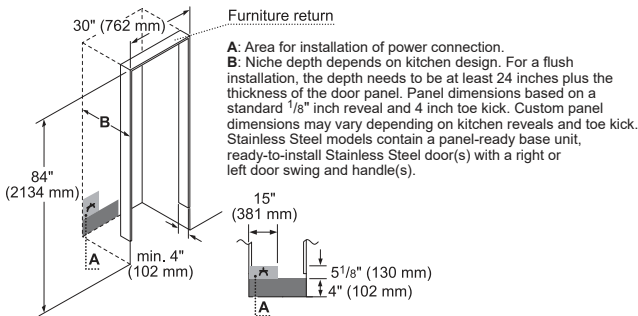


** Door handle must be added to this dimension

* Depends on the thickness of the furniture door. 3/4" (19 mm) is relevant for the stainless steel door. (special Accessory).



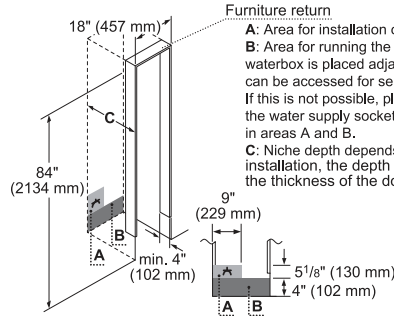
B30IR800SP Installation



A: Area for installation of power connection.
B: Niche depth depends on kitchen design. For a flush installation, the depth needs to be at least 24 inches plus the thickness of the door panel. Panel dimensions based on a standard 1/8" inch reveal and 4 inch toe kick. Custom panel dimensions may vary depending on kitchen reveals and toe kick. Stainless Steel models contain a panel-ready base unit, ready-to-install Stainless Steel door(s) with a right or left door swing and handle(s).

Stainless steel models contain a panel-ready base unit, ready-to-install Stainless Steel door(s) with a right or left door swing and handle(s).

B18IF800SP Installation



A: Area for installation of power connection.
B: Area for running the water line. It is recommended that the waterbox is placed adjacent to the installation cavity, so that it can be accessed for service without uninstalling the appliance. If this is not possible, place the recessed waterbox adjacent to the water supply socket elevated at the heights as referenced in areas A and B.
C: Niche depth depends on kitchen design. For a flush installation, the depth needs to be at least 24 inches plus the thickness of the door panel.

Stainless steel models contain a panel-ready base unit, ready-to-install Stainless Steel door(s) with a right or left door swing and handle(s).

Benchmark® Built-in Bottom Freezer Refrigerators



Benchmark®
B30BB830SS Flat Stainless Panel
Bottom Freezer

- 29 3/4" x 84" Flat Stainless Panel
- Flush Installation
- Dual Compressor and Dual Evaporator
- Sidewall LED Lighting



Benchmark®
B30IB800SP Custom Panel
Bottom Freezer

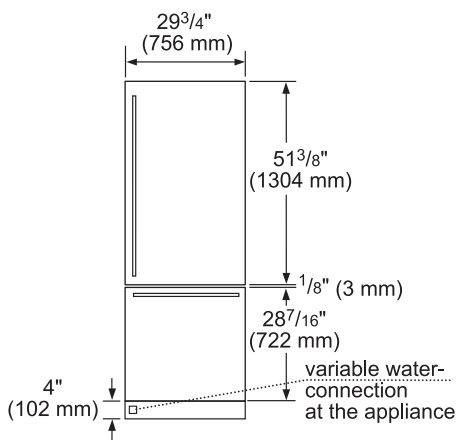
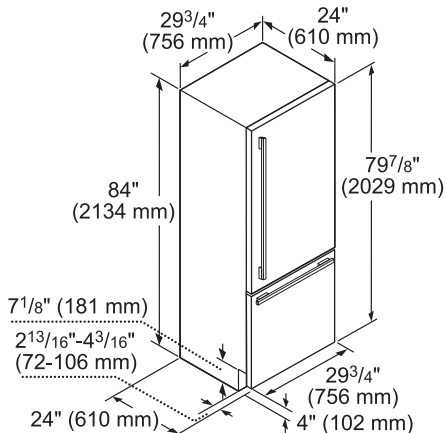
- 29 3/4" x 84"
- Custom Panel Ready
- Dual Compressor and Dual Evaporator
- Sidewall LED Lighting



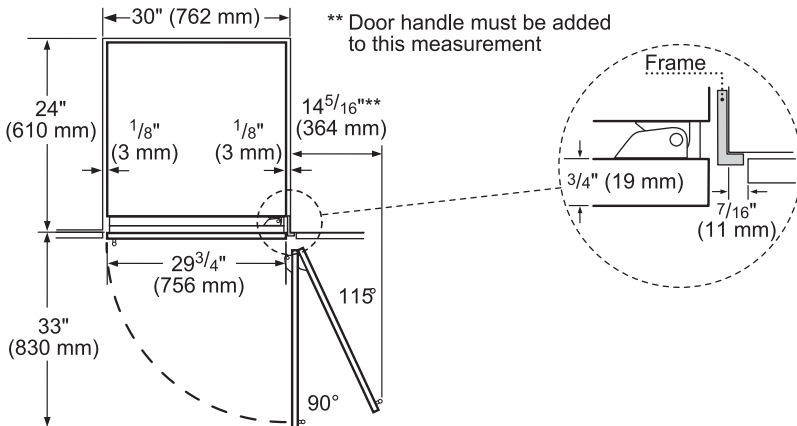
	30" Flat Stainless Panel	30" Custom Panel
	Stainless Steel – B30BB830SS	Custom Panel – B30IB800SP
General Properties		
Reversible door hinge	Yes	Yes
Water filter	Yes	Yes
Lighting	LED side wall theater	LED side wall theater
Defrost process refrigerator section	Frost-free	Frost-free
Number of shelves – refrigerator	3	3
Adjustable shelves – refrigerator	2	2
Shelf material – refrigerator	Glass w/metal trim	Glass w/metal trim
Type of shelves – refrigerator	Full width	Full width
Gallon storage bins	1	1
Humidity control drawer	Yes – 1	Yes – 1
Defrost process freezer section	Automatic	Automatic
Number of drawers – freezer	2	2
Shelf material – freezer	Stainless steel	Stainless steel
Ice maker	Yes	Yes
Quick ice	No	No
Capacity		
Total unit gross capacity (cu. ft.) – AHAM	16 cu. ft.	16 cu. ft.
Refrigerator gross capacity (cu. ft.)	11.2 cu. ft.	11.2 cu. ft.
Freezer gross capacity (cu. ft.)	4.8 cu. ft.	4.8 cu. ft.
Technical Details		
Watts (W)	588 W	588 W
Current (A)	15 A	15 A
Volts (V)	120 V	120 V
Frequency (Hz)	60 Hz	60 Hz
Power cord length (in.)	78 3/4"	78 3/4"
Plug type	120V – 3 prong	120V – 3 prong
Dimensions & Weight		
Appliance dimensions (HxWxD) (in.)	84" x 29 3/4" x 24"	84" x 29 3/4" x 24"
Required cutout size (HxWxD) (in.)	84" x 30" x 25"	84" x 30" x 25"
Net weight (lbs)	439 lbs	439 lbs
Efficiency		
ENERGY STAR® qualified	Yes	Yes
Energy consumption (kWh / yr)	546 kWh	546 kWh

Benchmark® Built-in Bottom Freezer Refrigerators

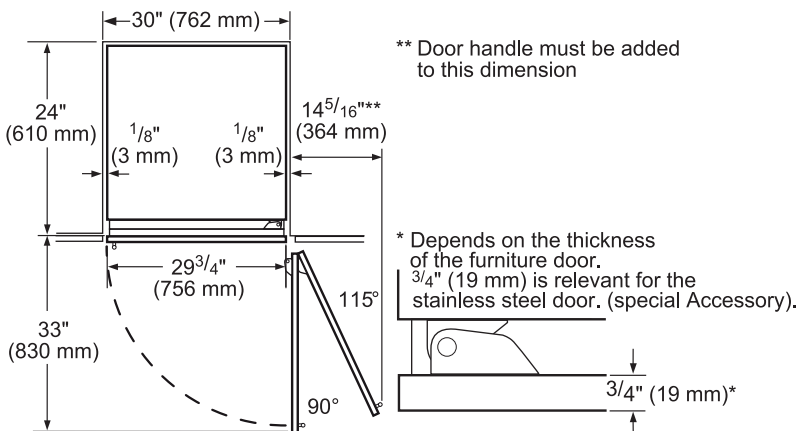
30" Built-in Bottom Freezer Dimensions



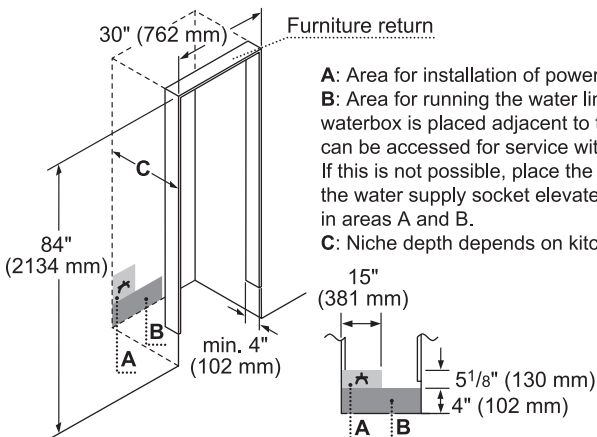
B30BB830SS Dimensions (Overhead View)



B30IB800SP Dimensions (Overhead View)



30" Built-in Bottom Freezer Installation



Benchmark® Built-in French Door Refrigerators



Benchmark®
B36BT830NS
French Door

- 35 3/4" x 84"
- Flat Stainless Panel
- Flush Installation
- Dual Compressor and Dual Evaporator
- Sidewall LED Lighting



Benchmark®
B36IT800NP
French Door

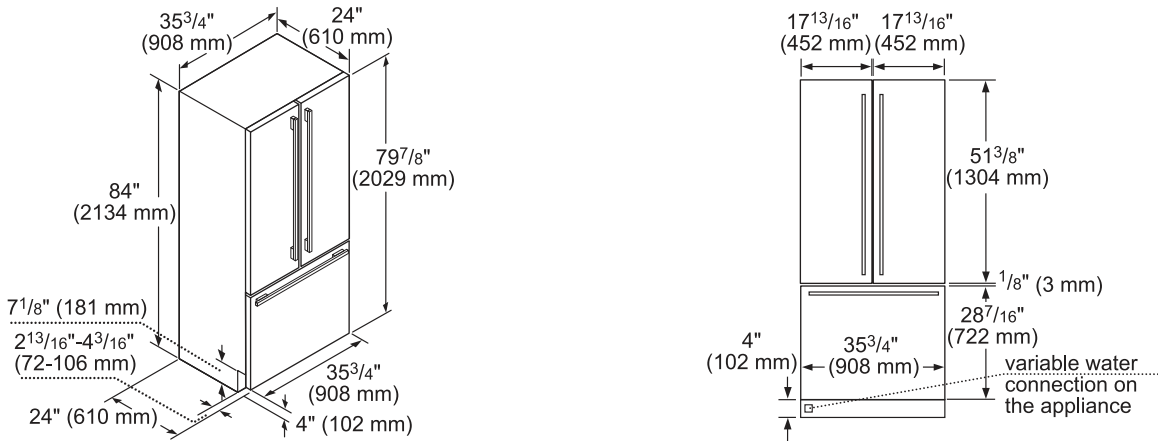
- 35 3/4" x 84"
- Custom Panel Ready
- Dual Compressor and Dual Evaporator
- Sidewall LED Lighting



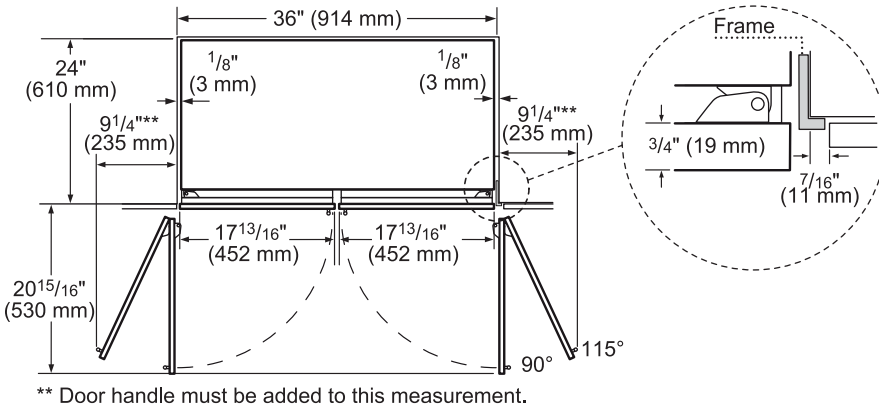
	36" Flat Stainless Panel	36" Custom Panel
	Stainless Steel – B36BT830NS	Custom Panel – B36IT800NP
General Properties		
Water filter	Yes	Yes
Lighting	LED side wall theater	LED side wall theater
Defrost process refrigerator section	Frost-free	Frost-free
Number of shelves – refrigerator	3	3
Adjustable shelves – refrigerator	2	2
Shelf material – refrigerator	Glass w/metal trim	Glass w/metal trim
Type of shelves – refrigerator	Full width	Full width
Gallon storage bins	2	2
Humidity control drawer	Yes – 1	Yes – 1
Defrost process freezer section	Automatic	Automatic
Number of drawers – freezer	2	2
Ice maker	Yes	Yes
Quick ice	No	No
Capacity		
Total unit gross capacity (cu. ft.) – AHAM	19.5 cu. ft.	19.5 cu. ft.
Refrigerator gross capacity (cu. ft.)	13.8 cu. ft.	13.8 cu. ft.
Freezer gross capacity (cu. ft.)	5.7 cu. ft.	5.7 cu. ft.
Technical Details		
Watts (W)	588 W	588 W
Current (A)	15 A	15 A
Volts (V)	120 V	120 V
Frequency (Hz)	60 Hz	60 Hz
Power cord length (in.)	78 3/4"	78 3/4"
Plug type	120V – 3 prong	120V – 3 prong
Dimensions & Weight		
Appliance dimensions (HxWxD) (in.)	84" x 35 3/4" x 24"	84" x 35 3/4" x 24"
Required cutout size (HxWxD) (in.)	84" x 36" x 25"	84" x 36" x 25"
Net weight (lbs)	540 lbs	529 lbs
Efficiency		
ENERGY STAR® qualified	Yes	Yes
Energy consumption (kWh / yr)	590 kWh	590 kWh

Benchmark® Built-in French Door Refrigerators

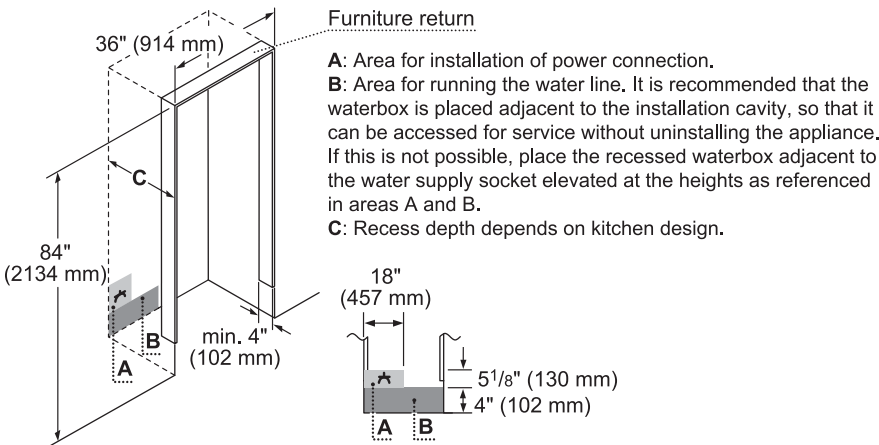
Dimensions



Dimensions (Overhead View)



Installation



Planning Checklist

Benchmark® Built-in Refrigeration

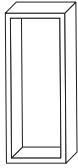



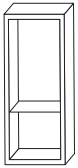
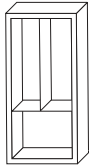
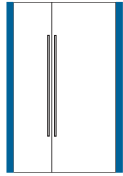
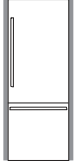
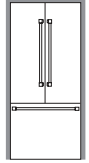


This custom product requires attention to the finest details. Did you remember to...?

- Choose a desired configuration – side-by-side or stand-alone columns (See page 186 for details)
- Plan the cutout height(s) – 84" (See pages 177, 179 and 181 for details)
- Plan the cutout width(s) – depends on configuration and column width (See pages 177, 179, 181 and 188 for details)
- Plan the cutout depth – 25" for North American style cabinets, 24" with installation frame accessory, 24" for European style cabinets (See page 189 for details)
- Ensure the cutout interior (top and sides) is flush to the appliance at a depth of min. 4", preferably 6" from face frame (See pages 177, 179, 181 and 189–190 for details)
- Ensure the cutout interior returns (top and sides) are finished to match exterior at a depth of min. 4", preferably 6" from face frame (See pages 177, 179, 181 and 189–190 for details)
- Ensure proper clearance for appliance doors including handle(s) – check for interference with other appliances, open or closed cabinets and doors, nearby walls (See page 188 for details)
- Properly site the electrical outlet and (if applicable) water box (See page 187 for details)
- Ensure the reverse of any custom panel is finished to match the exterior
- Choose the toekick style – stainless (included with appliance) or design custom toekick(s) (See page 191 for details)
- Procure the proper installation accessories – stainless steel frame kit (FRAMKITB80) for framed installations in 24-inch deep cutouts, heater kit (HEATKITB80) for installations where two appliances are installed side-by-side or instances where any appliances are installed less than 6" apart from another but not connected. The heater kit is also recommended for use with any installation in areas that are subject to humidity, or located next to an outside wall. (See page 184 for details)
- If applicable, procure the proper water filter accessories – additional replacement filters, filter by-pass for in-home water filtration system (See page 184 for details)

Build Your Custom Column

Benchmark® Built-in Refrigeration

1 Choose Unit			2 Choose Panel			3 Choose Handle and Accessories (Units install either completely flush or framed with optional kit)		
Single Door Refrigerator								
30"		B30IR800SP Reversible Swing Custom Column		BFL30IR800 Flat Stainless Steel	00684212 36" handle, coordinates with Bosch appliances. Choose one handle for each single door unit. (Must be ordered from Service)			
FRAMKITB80 This accessory enables installation in 24-inch deep cutouts. Kit includes two identical and reversible vertical frames.								
Single Door Freezer								
18"		B18IF800SP Reversible Swing Internal Ice Maker Custom Column		BFL18IF800 Flat Panel Stainless Steel Custom Panel Ready	HEATKITB80 When two single door units are installed side-by-side, this sealing kit must be used. This kit is also recommended in installations that are subject to extreme humidity.			
Bottom Freezer and French Door								
30"		B30IB800SP 2-Door Custom Column	Custom Panel Ready		Bosch handles are included			
36"		B36IT800NP French Door Custom Column	Custom Panel Ready		 FRAMKITB80 This accessory enables installation in 24-inch deep cutouts. Kit includes two identical and reversible vertical frames.			
Pre-Assembled Bottom Freezer and French Door								
30"		B30BB830SS 2-Door Flat Stainless Steel Panels Bosch Handles Removable Frame	Flat Stainless Steel Panels are included		Bosch handles are included			
36"		B36BT830NS French Door Flat Stainless Steel Panels Bosch Handles Removable Frame	Flat Stainless Steel Panels are included		A frame is attached to all pre-assembled models. It is removable if a flush installation in a 25" deep cabinet is desired.			

IMPORTANT: Use a sealing kit when connecting refrigerator and freezer columns side-by-side (included with every freezer column). Use HEATKITB80 for all non-traditional side-by-side combinations, installations where columns are not connected but less than six inches (152 mm) from one another and for any installation in areas subject to excessive humidity. See page 184 for details.

Optional Accessories and Installation Considerations

Benchmark® Built-in Refrigeration

Flat Stainless Steel Door Panels



Single Door Refrigerator

BFL30IR800 (For Model B30IR800SP)
30-Inch

Single Door Freezer

BFL18IF800 (For Model B18IF800SP)
18-Inch

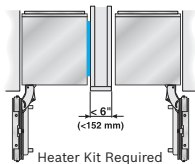
Installation Accessories

FRAMKITB80 Frame Kit



Included with all pre-assembled bottom freezers, this adjustable frame is also available as an optional accessory for use with any custom column for installation in 24-inch (610 mm) deep cutouts. The kit includes two identical and reversible metal side trims whose placement between the interior cutout wall and the appliance helps overcome the challenge of unfinished cabinet returns.

HEATKITB80 Heater Kit



When two appliances are installed side-by-side a sealing kit must be used. For combinations that involve a freezer column, this kit is provided. For all other (non-traditional, i.e. two bottom freezers) side-by-side combinations or instances where any appliances are installed less than 6" (152 mm) apart from one another but not connected side-by-side, purchase this kit. This kit is also recommended for use with any installation in areas that are subject to extreme humidity.

side-by-side combinations or instances where any appliances are installed less than 6" (152 mm) apart from one another but not connected side-by-side, purchase this kit. This kit is also recommended for use with any installation in areas that are subject to extreme humidity.

Filter Accessories

BORPLFTR10 Water Filter

Replacement water filter for use in all freezer and bottom freezer models.

SCRNFLTR10 Filter By-Pass

Filter by-pass for use with existing in-home water filtration systems. For all freezer and bottom freezer models.

Handles



B36HNDL800 36-Inch Handle

Coordinates with Bosch appliances. Choose one handle for each single door unit. (Must be ordered from Service)

Location

The appliance should be installed in a dry, ventilated room. It may not be installed outdoors. The ambient temperature of the room must be between 55°F (13°C) and 100°F (43°C).

The appliance should not be exposed to constant direct sunlight or excessive heat. If installation next to a heat source, such as an oven, radiator, etc. is unavoidable, use a suitable insulating plate or observe the following minimum distances from the heat source:

- 1 1/4" (30 mm) from an electric cooking appliance,
- 11 13/16" (300 mm) from an oil or solid-fuel cooking appliance.

Installation And Cutout Dimensions

Please see pages 177, 179, 181 and 188-193 for complete cutout planning information.

It is important to observe the specified dimensions of the installation cutout for a trouble-free installation of the appliance and for the subsequent appearance of the door panel.

- In particular ensure that the cutout is square. Squareness can be checked by suitable means, e.g. spirit level, diagonal measurements, etc.
- The side walls of the cutout must be flush. The minimum thickness of the side and top walls is 5/8" (16 mm). The minimum thickness of toekick panel is 1/4" (6 mm).

Furniture / Fixtures

During installation, the appliance is fastened to adjacent and overhead furniture / fixtures and it is therefore essential that all such furniture / fixtures are well secured to the substructure or adjacent wall.

Flooring / Substructure

On account of the heavy weight of a fully loaded appliance, a load-bearing substructure is required. To ensure correct installation and function, the support must be flat, level and made of hard, rigid material. If in doubt, contact an architect or a building expert.

Refer to the following table for load-bearing capacity:

Appliance	Load Bearing Capacity
30-Inch Single Door Refrigerator	1,110 lbs. / 500 kg
18-Inch Single Door Freezer	560 lbs. / 250 kg
30-Inch Bottom Freezer	900 lbs. / 410 kg
36-Inch French Door	1,200 lbs. / 540 kg

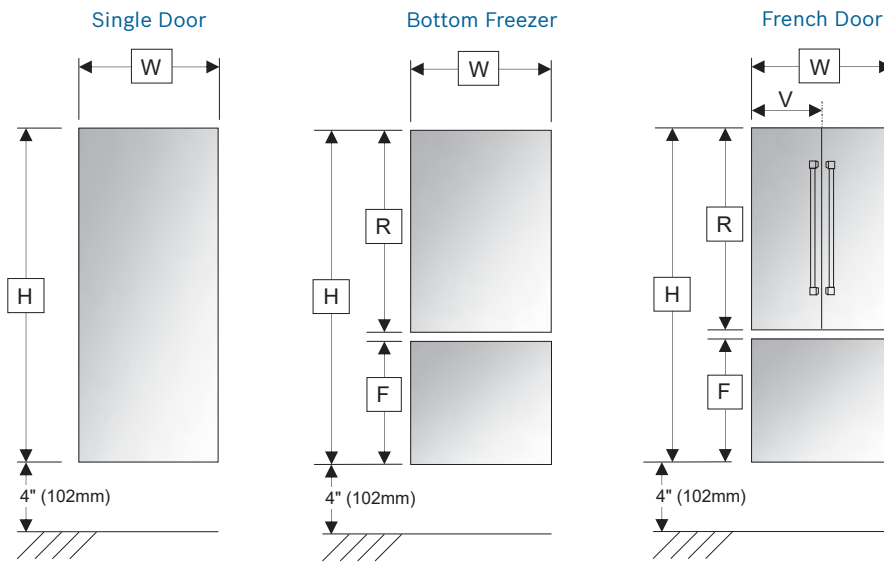
Door Panel Dimensions

Benchmark® Built-in Refrigeration

Select Bosch built-in refrigeration appliances are designed to be equipped with a decorative door panel. A panel can be custom-made or purchased as a stainless steel accessory. The table below illustrates the dimensions of the stainless steel panel accessories and can be used as a guide in creating custom panels. At 79 7/8" (2029 mm) tall, they are designed for a toe-kick height of 4" (102 mm), and a total cutout height of 84" (2134 mm) yielding 1/8" (3 mm) reveals. At 3/4" (19 mm) deep, they are designed to attach to the 24" (610 mm) deep appliance for an overall depth of 24 3/4" (629 mm). See page 177, 179, 181 and 188–193 for cutout planning.

When using custom panels, always ensure that the panel reverse is finished to match the exterior, as parts of the panel reverse will be visible when the refrigerator door is opened.

IMPORTANT: While these sketches can serve as a general guide in planning panel dimensions, the correct panel dimensions are dictated by design choices including style and dimensions of surrounding kitchen cabinetry, case and toe-kick height, etc. Please ensure careful planning based on the specific kitchen design.

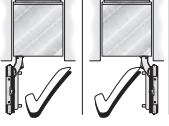
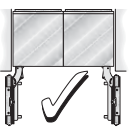
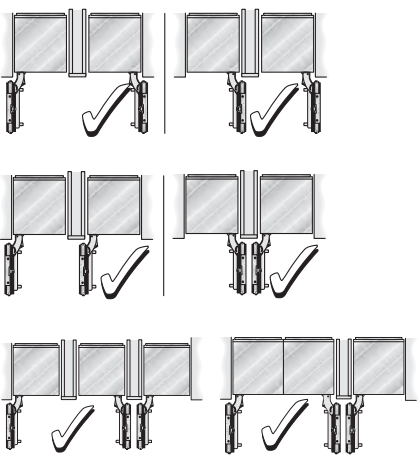
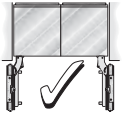

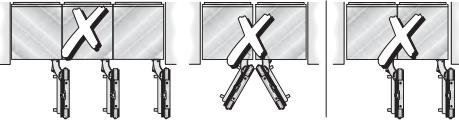



	B18IF800SP 18-Inch Single Door Freezer	B30IR800SP 30-Inch Single Door Refrigerator	B30IB800SP 30-Inch Bottom Freezer	B36IT800NP 36-Inch French Door
H	79 7/8" (2029 mm)	79 7/8" (2029 mm)	79 7/8" (2029 mm)	79 7/8" (2029 mm)
W	17 3/4" (451 mm)	29 3/4" (756 mm)	29 3/4" (756 mm)	35 3/4" (908 mm)
V	—	—	—	17 3/4" (451 mm)
R	—	—	51 11/32" (1304 mm)	51 11/32" (1304 mm)
F	—	—	28 13/32" (722 mm)	28 13/32" (722 mm)
Max. Panel Weight	37 lbs. (17kg)	64 lbs. (29kg)	55 lbs. (25kg)	55 lbs. (25kg)

Installation Options

Benchmark® Built-in Refrigeration

The Bosch Built-in Refrigeration Collection offers a variety of installation possibilities*. In some instances, special accessories are required.

Recommended Installations		Considerations
Stand-Alone		Any appliance can be installed as a stand-alone unit. Ensure a cutout flush to the appliance at a depth of minimum 4" (102 mm), preferably 6" (152 mm) on the top and sides.
Side-By-Side		When two appliances are installed side-by-side a sealing kit must be used. For combinations that involve a freezer column, this kit is provided. For all other (non-traditional) side-by-side combinations or instances where any appliances are installed less than 6" (152 mm) apart from one another but not connected side-by-side, purchase the Heater Kit (HEATKITB80).
Split Columns With Partition		When dimensioning the partition, note the thickness of the door panel (including handles) as well as the swivel range to prevent damage if the doors are opened at the same time. (See page 188 for details on door swivel range dimensions) Three appliances can be installed together only if a partition – minimum 5/8" (16 mm) – is placed between two of the appliances. Ensure that door panel thickness (including handles) as well as the swivel range are accounted for.
At The End of a Cabinetry Run		All appliances must be completely enclosed on the top and sides. If one side of the appliance is visible, a decorative side panel must be used. The side panel must be connected firmly to the wall, the floor and any overhead furniture / fixtures before the appliance is placed in the cutout.
Not Recommended		Concerns
		It is absolutely essential to ensure that the appliance is installed in such a way that the doors do not interfere with an adjacent wall or other kitchen elements. (See page 188 for details on door swivel range dimensions)
		A partition – minimum 5/8" (16 mm) – is required to ensure the doors do not interfere with one another when opened. Use a partition to separate appliances and observe the door swivel range. (See page 188 for details on door swivel range dimensions)
		A French Door Bottom Freezer cannot be connected side-by-side with any other appliance. Use a partition to separate appliances and observe the door swivel range. (See page 188 for details on door swivel range dimensions)

*The Bosch warranty shall apply only to recommended installations.

Planning Information

Benchmark® Built-in Refrigeration

Electrical Specifications

The appliance comes with a 3-wire power supply cord. UL listed in the USA.

The appliance requires a 3-wire receptacle that is fitted with a 15 Amp fuse or higher. Refer to the following table for max load details.

Appliance	Max Load
	120V AC, 60Hz
30-Inch Single Door Refrigerator	15 A
18-Inch Single Door Freezer*	15 A
30-Inch Bottom Freezer*	15 A
36-Inch French Door	15 A

*Including ice maker

The receptacle must be installed by a licensed electrician only.

For the installation position of the receptacle refer to diagram in “Electrical Location”.

Grounding Instruction

This appliance must be grounded. In the event of a malfunction or breakdown, grounding will reduce the risk of electric shock by providing a path of least resistance for the electric current.

Additional Grounding Procedure

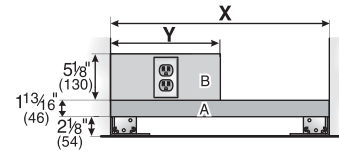
Some local regulations may require a separate ground. In such cases, the required accessory ground wire, clamp and screw must be purchased separately. Never ground the appliance to plastic plumbing lines, gas lines or water pipes.

A 4-conductor cord shall be used when the appliance is installed in an area where local codes do not permit grounding through the neutral. Power supply cord must be replaced by a licensed electrician only.

Warning

Improper connection of the equipment grounding conductor may result in electric shock. Have the appliance checked by a qualified electrician or service technician if you are in doubt as to whether the appliance has been properly grounded.

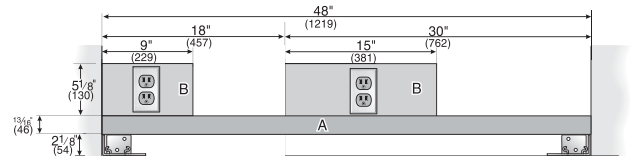
Electrical Location



Split Column Installation

	18-Inch	30-Inch
X	18" (457 mm)	30" (762 mm)
Y	9" (229 mm)	15" (381 mm)

Side-by-Side Installation



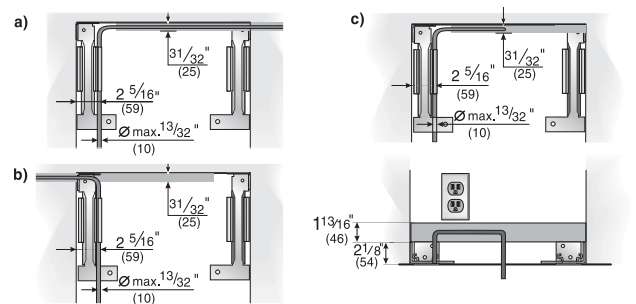
Water Location

A cold water connection is required for appliances that feature an ice maker or an ice and water dispenser.

The water pressure must be between 40 and 120 p.s.i. (2.75–8.25 bar). The installation must comply with local plumbing regulations.

A separate shut-off valve must be installed for the appliance water connection.

The shut-off valve for the water connection may not be behind the appliance. It is recommended to place the shut-off valve outside the cutout next to the appliance or in another easily accessible location. When installing the water connection, observe the permitted installation areas for the water supply line. The supply line can be located to the right (a), to the left (b), or underneath (c).



Planning Information

Benchmark® Built-in Refrigeration

Door Swivel Range

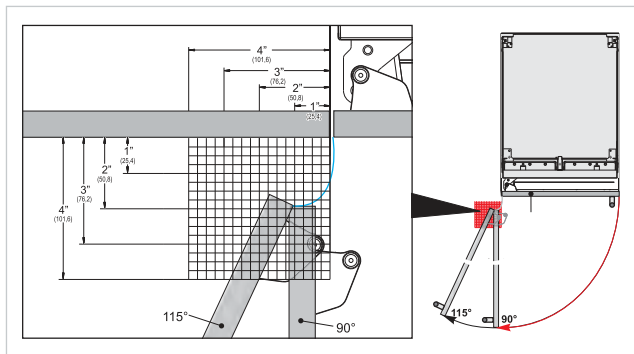
It is absolutely essential to ensure that the appliance is installed in such a way that the doors (including handles) and adjacent cabinets, countertops, pilasters, walls or other kitchen elements do not interfere with one another when opened. The illustrations below depict the swivel range of the refrigerator doors including mounted door panels of both $\frac{3}{4}$ " (19 mm) and $1\frac{1}{2}$ " (38 mm) thickness.

In the event of door interference the following solutions may be employed:

- Limit the refrigerator door opening angle to 90° with a door stop pin inserted into the hinge.
- Reduce the door panel thickness (if larger than $\frac{3}{4}$ " (19 mm)).
- Install a spacer between the appliance and the kitchen element that creates the interference.
- Rearrange the opposing kitchen element that creates the problem.
- Create a protruding cutout for the appliance.

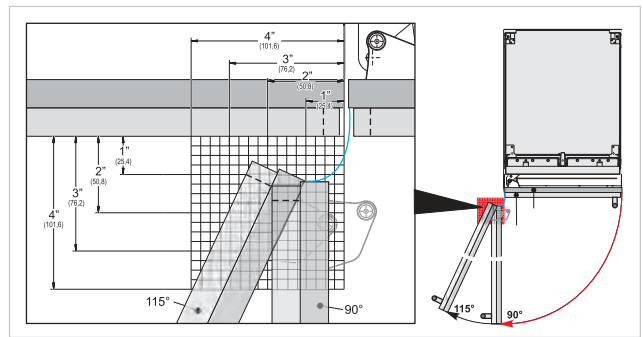
Door Swivel Range – $\frac{3}{4}$ " (19 mm)

Flush Appliance Door Panel



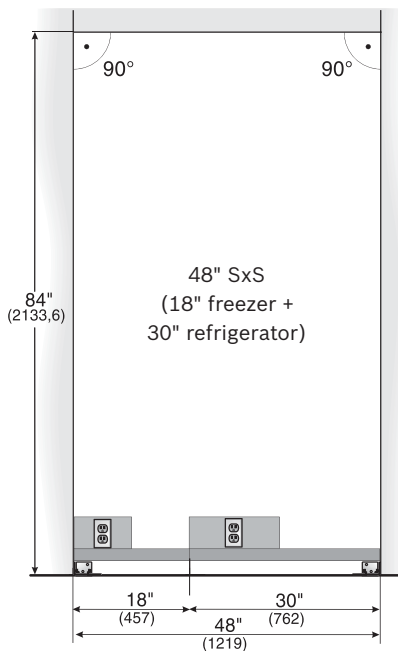
Door Swivel Range – $1\frac{1}{2}$ " (38 mm)

Flush Appliance Door Panel

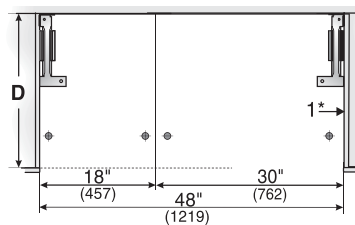


Side-By-Side Installation

The cutout width for side-by-side installations is defined by adding together the dimensions of two single columns. Below are the dimensions of a classic 48" side-by-side, with an 18" freezer on the left and a 30" refrigerator on the right.



IMPORTANT: Just as with stand-alone columns, always ensure that the receptacles and the water line are correctly positioned. For dimensional requirements see page 187.



- A: Area for running the water line. It is recommended the water-box be placed adjacent to the installation cutout, so that it can be accessed for service without uninstalling the appliance. If this is not possible, place the recessed water box adjacent to the power supply socket elevated at the heights as referenced in areas A+B.
- B: Area for installing the power connection
- D: Opening depth of cutout, depending on kitchen design (24" minimum)

Planning Information

Benchmark® Built-in Refrigeration

Cabinetry Terms & Basic Requirements

To clarify the terms that are used in this design guide, please refer to the following definitions:

Case

This is the main body of a kitchen cabinet.

(Cabinet) Face Frame

This is a decorative frame at the front of a kitchen cabinet representing the space between cabinetry doors or drawers and is typical for North America. European style cabinets (frameless cabinetry) typically do not have a face frame.

Door Panel

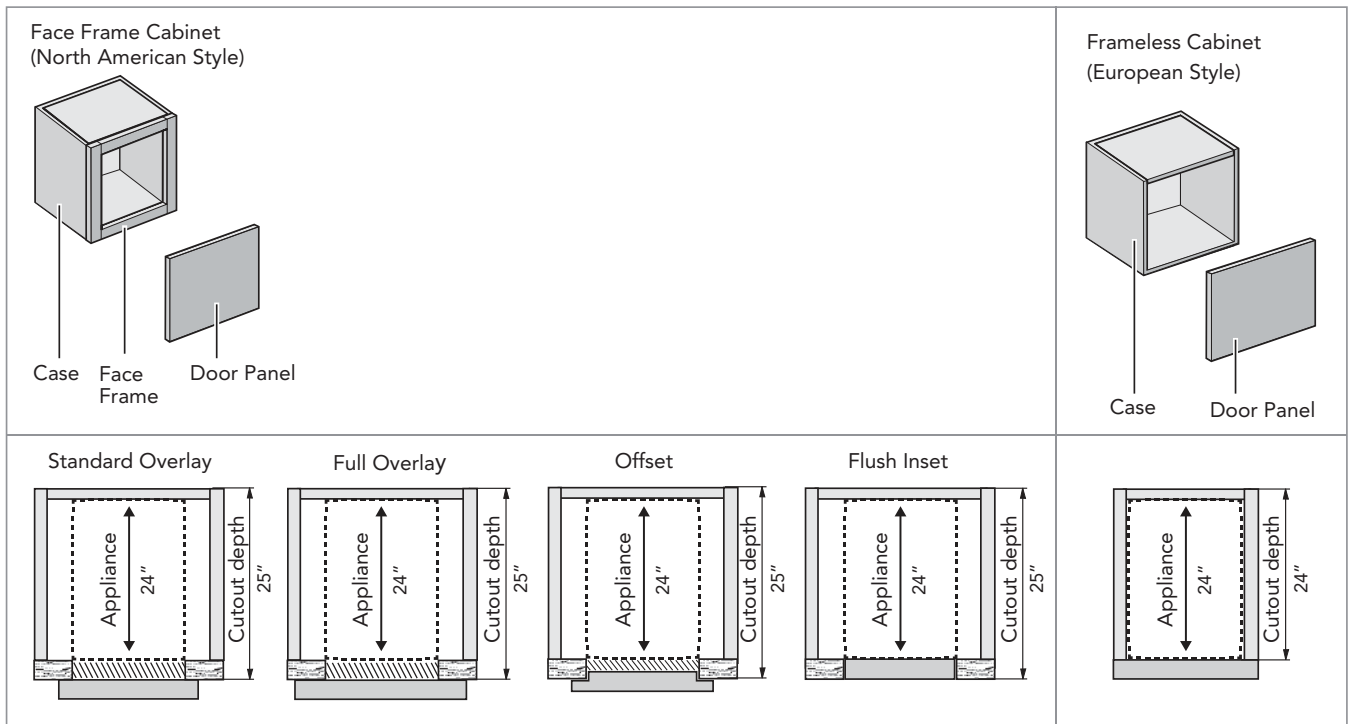
Able to be fully flush integrated when installed in 25" (635 mm) deep cabinets, Bosch built-in, custom panel refrigerators are intentionally designed to be equipped with custom door panels that perfectly match surrounding kitchen cabinetry. Typical panel thickness is 3/4" (19 mm). However, thicker panels can be accommodated to emulate the look of the visible face frame (as in overlay) or to match existing kitchen cabinetry doors. When using custom panels, always ensure that the panel reverse is finished to match the exterior, as parts of the panel reverse will be visible when the refrigerator door is opened.

Cutout (Niche)

The cutout is the cavity in which a Bosch built-in refrigerator and/or freezer is installed. The width of the cutout (18-inch, 30-inch, etc.) is dependent on the appliance(s). The total depth of the cutout is equal to the depth of the case plus face frame. It does not necessarily include the thickness of the door panel. For proper planning of cutout depth, please refer to pages 177, 179, 181 and 188–193.

Typically, the cutout for a Bosch built-in refrigerators and freezers will be 25" (635 mm) deep. When planning the cutout, it is essential that the top and side interior walls be flush to the appliance at a minimum depth of 4" (102 mm) from the outer edge of the face frame and composed of thick (5/8" (16 mm) minimum) material for secure installation. Also, because the case interior will be partially visible when the refrigerator door is opened, always ensure that the top and side returns are finished to match the exterior furniture at the same minimum depth of 4" (102 mm).

Kitchen Cabinetry Illustration



Planning Information

Benchmark® Built-in Refrigeration

Cabinetry Style & Cutout Depth

Bosch built-in refrigerators and freezers are designed to accommodate nearly any type of kitchen cabinetry door installation. Generally, when using standard 3/4" (19 mm) panels, 25" (635 mm) deep cutouts are recommended but the required cutout depth depends on the desired cabinetry and custom panel execution, whether typical North American styles that employ a face frame – requiring a depth of 25" (635 mm) – or European style – requiring a depth of 24" (610 mm).

The below cabinetry styles detail requirements for the cutout and custom panel.

A) Standard (Partial) Overlay – 25" (635 mm) Cutout Depth

With standard overlay kitchen cabinetry the face frame is an important design element. In order to emulate this aesthetic for the refrigerator, one must account for the door panel thickness (typically 3/4" (19 mm)) as well as the face frame thickness (here, also 3/4" (19 mm)). The resulting thickness of the custom door panel is therefore 3/4" (19 mm) + 3/4" (19 mm) = 1 1/2" (38 mm). The cumulative thickness of the custom door panel requires added depth in the cutout so 25" (635 mm) is recommended (see sketch).

B) Full Overlay – 25" (635 mm) Cutout Depth

The requirements for standard overlays are also valid for full overlay designs so 25" (635 mm) cutout depth is recommended. However, especially if kitchen cabinet doors are thinner than 3/4" (19 mm) or reveals are 1/8" (3 mm) or smaller, a 24" (610 mm) cutout depth may also be acceptable. In this execution both the cabinet door and the small reveal of the fully overlaid face frame must be emulated within the typical appliance door panel thickness of 3/4" (19 mm). This can be done either a) by simply ignoring the visible area of the face frame (very small reveals show virtually no face frame) or b) by creating a "nose" on the custom door panel to emulate a small visible face frame (see sketch).

C & D) Offset & Flush Inset – 25" (635 mm) Cutout Depth

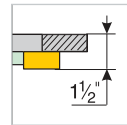
Here, kitchen cabinetry door panels do not rest atop the cabinet face frame (overlay), but are instead inserted partially (offset) or fully flush (inset) into the face frame. Such offset or flush inset door panels require additional depth in the cutout. Using the example of a 3/4" (19 mm) thick panel, the complete cutout depth would be 24" (610 mm) + 3/4" (19 mm) = 24 3/4" (629 mm) and in this example 25" (635 mm) is recommended.

E) Framed – 24" (610 mm) Cutout Depth

A metal frame (FRAMKITB80) may be affixed to the side of the cabinet which conveniently hides unfinished case returns and provides a classic built-in look. This is particularly relevant for existing cabinetry that has not been custom-built to accommodate these appliances. A 24" (610 mm) cutout will result in a slightly protruding door panel for a typical built-in look.

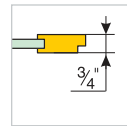
F) European Style Kitchen Cabinetry – 24" (610 mm) Cutout Depth

If the kitchen design is based on European style cabinetry, there is no need to emulate the look of a face frame, as such a frame is not an element of the kitchen cabinetry design. Therefore a 24" (610 mm) deep cutout with accompanying custom panel will always be sufficient.



A) Standard Overlay Design

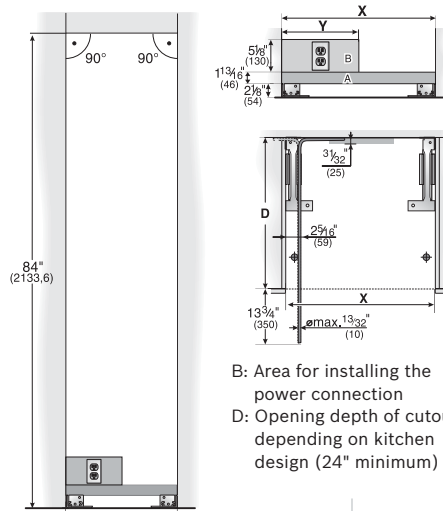
Custom Door Panel (Emulating a Face Frame)



B) Full Overlay Design

Custom Door Panel with Nose (Emulating a Face Frame)

Split Column Installation



A: Area for running the water line. It is recommended the water-box be placed adjacent to the installation cutout, so that it can be accessed for service without uninstalling the appliance. If this is not possible, place the recessed water box adjacent to the power supply socket elevated at the heights as referenced in areas A+B.

B: Area for installing the power connection

D: Opening depth of cutout, depending on kitchen design (24" minimum)

	X	Y
18-Inch Single Door Freezer	18" (457 mm)	9" (229 mm)
30-Inch Single Door Refrigerator	30" (762 mm)	15" (381 mm)
30-Inch Bottom Freezer	30" (762 mm)	15" (381 mm)
36-Inch French Door	36" (914 mm)	18" (457 mm)

Important

It is strongly recommended the top interior of the cutout be of solid material (5/8" (16 mm) thickness). Ensure that the top well is completely flush for a depth of at least 4" (102 mm).

Ensure that the side walls of the cutout are also completely flush to a depth of at least 4" (102 mm).

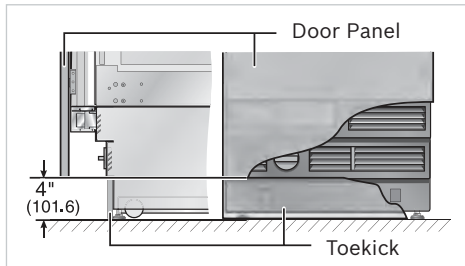
If, for some reason, a separate cutout cabinet is created, ensure that the furniture return is at least 4" (102 mm) deep for proper installation.

Planning Information

Benchmark® Built-in Refrigeration

Toeckick & Venting Grille

Each Bosch built-in refrigeration appliance comes with a 4" (102 mm) tall stainless steel toekick. A custom-made toekick that matches the surrounding cabinetry may be applied instead. While standard toekick height is 4" (102 mm), depending on the usage of the leveling legs, the toekick height could vary. Regardless of toekick height, it is imperative that the venting grille remain unblocked to ensure proper functionality of the appliance. Decorative toekicks should be removable to allow for servicing.



Typical 4" (102 mm) toekick height. Velcro adhesive strips are used to fasten the toekick to the appliance. Venting grille and (if applicable) the water filter cavity are located above the toekick area.

Upper Molding

The planning of decorative upper molding above the cutout requires taking into account the actual or desired height of the door panel.

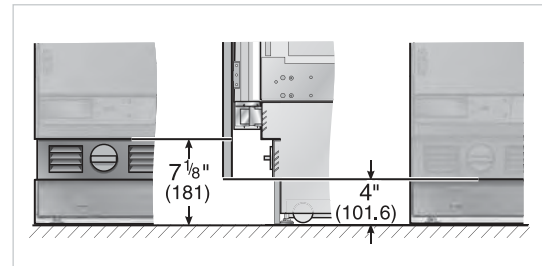
The overall height of the door panel will depend on:

- the height of the appliance, typically 84" (2134 mm) – leveling legs allow height adjustment ranging from $-1/2"$ (-13 mm) to $+1 3/8"$ (+35 mm)
- the installed height of the door panel (distance from the bottom edge of the door panel to the floor, typically 4" (102 mm), and, if desired, any extension of the custom panel above the appliance cutout)
- the appliance type (single door or bottom freezer)

Important

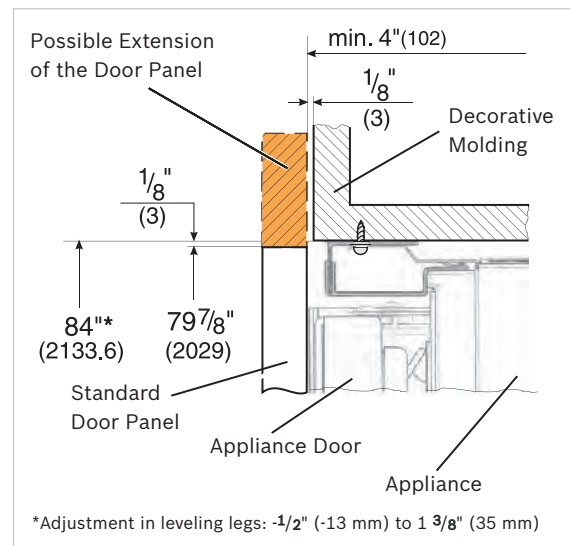
Please recall that a panel should be installed at a minimum height of 4" (102 mm) from the floor to allow proper ventilation of the appliance.

Always ensure that the top of the cutout or upper decorative molding is at least 4" (102 mm) deep, so that the refrigerator can be properly secured to the cutout wall. This is particularly important if a protruding cutout is specially created and configured with a face frame. Furniture returns for any face frame must be a minimum of 4" (102 mm) deep.



If required by the surrounding cabinetry design, the distance between the bottom edge of the door panel and the floor can be increased from approx. 4" (102 mm) up to 7 1/8" (181 mm), but should not be decreased. Note, however, that the venting grille and (if applicable) water filter cavity will be visible, even if the door is closed.

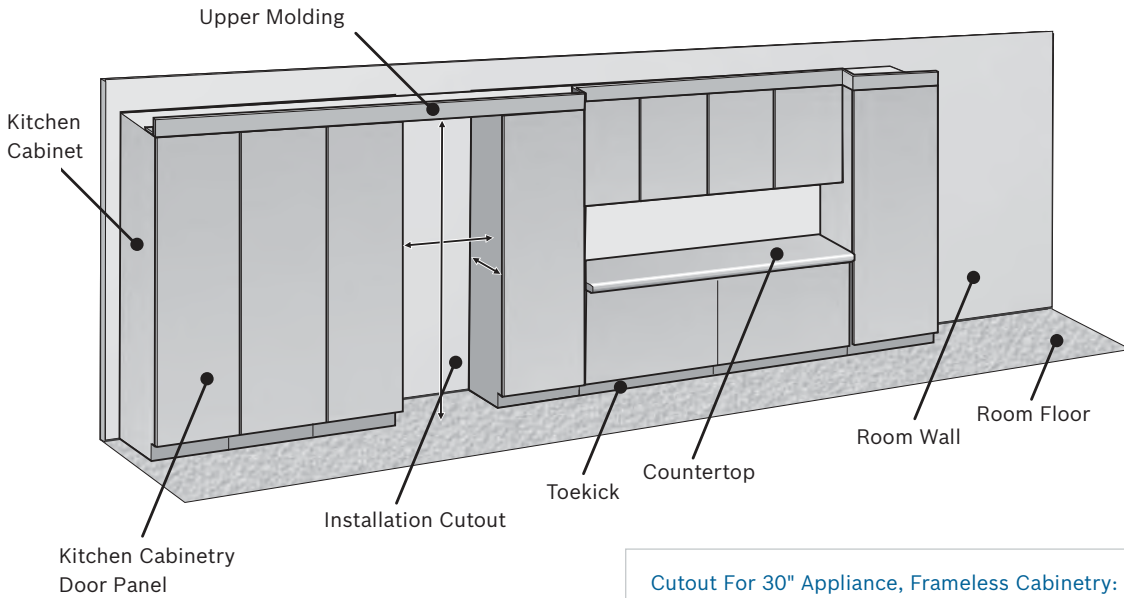
Vertical Section, Side View:



Planning Information

Benchmark® Built-in Refrigeration

Planning Example #1: Frameless (European) Cabinetry

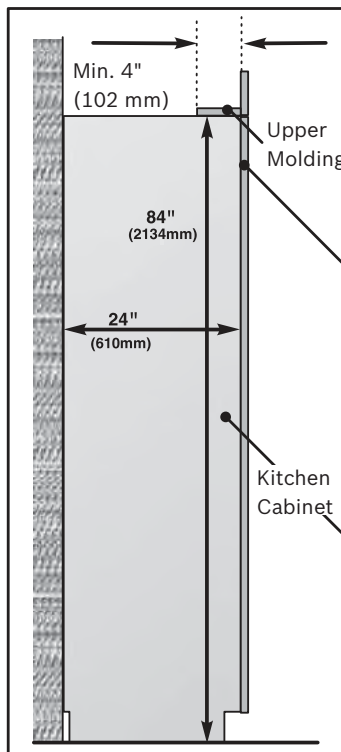


Cutout For 30" Appliance, Frameless Cabinetry:

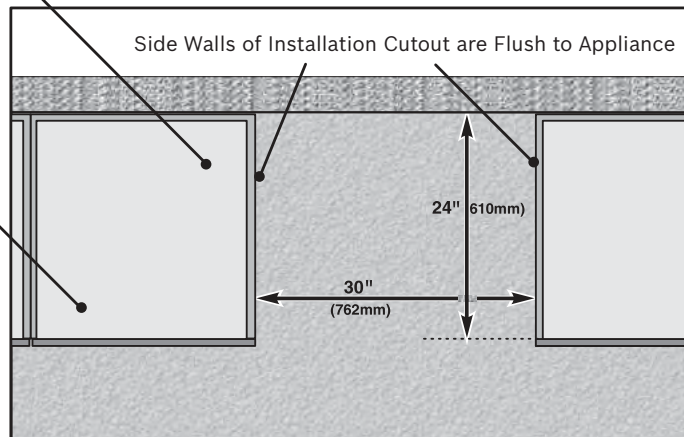
In this example, the installation cutout is formed by simply leaving a gap between two kitchen cabinets.

The custom door panel $\frac{3}{4}$ " (19 mm) will be identical in appearance and thickness to the surrounding kitchen cabinetry panels.

- cutout width is exactly 30" (762 mm)
- cutout (case) depth is 24" (610 mm) – does not include door panel
- top and side walls of cutout interior are completely flush, of solid material and at least 4" (102 mm) deep



Installation Cutout (Vertical Section)

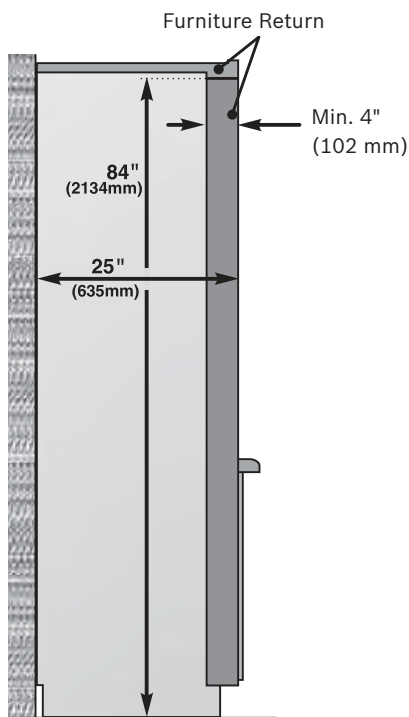
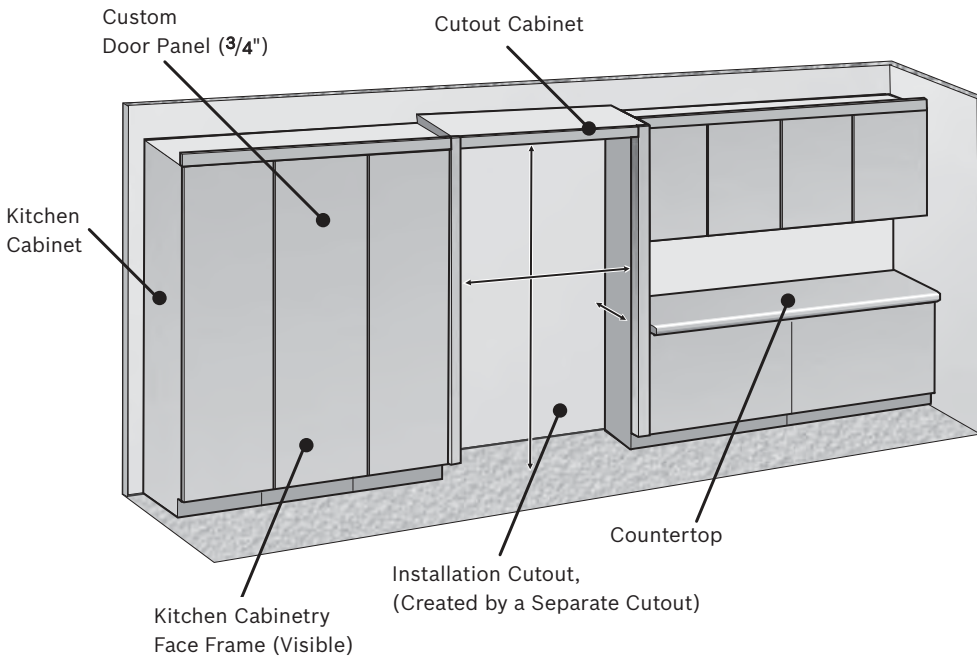


30-Inch Installation Cutout (Horizontal Section)

Planning Information

Benchmark® Built-in Refrigeration

Planning Example #2: Standard Overlay Cabinetry

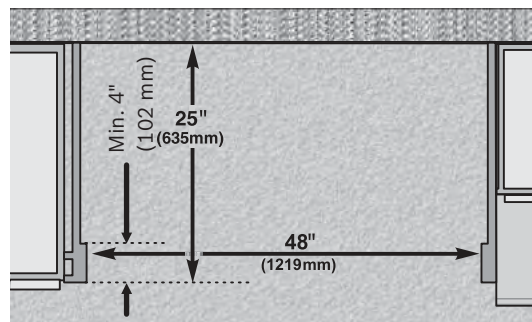


CUTOUT FOR 48" SIDE-BY-SIDE APPLIANCE COMBINATION, STANDARD OVERLAY CABINERY:

In this example, the installation cutout is formed by creating a separate cutout around the appliances. It yields a look that deviates from the general kitchen design.

The custom door panel has a cumulative thickness of $1\frac{1}{2}$ " (38 mm), $\frac{3}{4}$ " (19 mm) emulating the face frame and $\frac{3}{4}$ " (19 mm) for the actual door panel). Thus, a 25" (635 mm) deep installation cutout is required.

- cutout width is exactly 48" (for an 18" + 30" = 48" side-by-side combination)
- cutout (case) depth is 25" (635 mm) due to $1\frac{1}{2}$ " (38 mm) custom door panel
- any furniture return must be at least 4" (102 mm) deep, on interior top and sides, of solid material and should be finished to match the exterior at the same depth (4" or 102 mm)



500 / 800 Series 24" Freestanding Bottom Freezer Refrigerators



500 Series
B11CB50SSS
Bottom Freezer

- 24" x 79" Counter-Depth
- HydroFresh Humidity-Controlled Drawer
- Wine Rack
- Sidewall LED Lighting



800 Series
B11CB81SSS
Bottom Freezer

- 24" x 79" Counter-Depth
- + Built-in Ice Maker
- HydroFresh Humidity-Controlled Drawer
- Wine Rack
- Sidewall LED Lighting



800 Series
B10CB80NVS (Stainless)
B10CB80NVW (White)
B10CB80NVB (Black)
Glass Door Bottom Freezer

- 24" x 73" Counter-Depth
- + Stylish Tempered Glass Door
- HydroFresh Humidity-Controlled Drawer
- Wine Rack



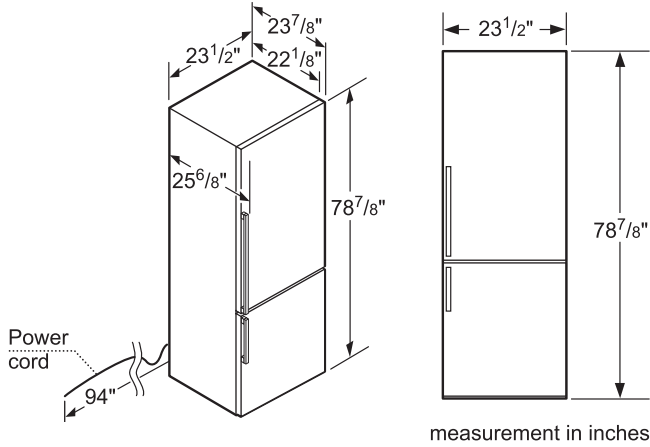
+ Indicates a step-up feature

	500 Series – Counter-Depth	800 Series – Counter-Depth	800 Series – Counter-Depth
	Stainless Steel – B11CB50SSS	Stainless Steel – B11CB81SSS	Glass on Stainless Steel – B10CB80NVS White Glass – B10CB80NVW Black Glass – B10CB80NVB
General Properties			
Reversible door hinge	Yes	Yes	Yes
Water filter	No	No	No
Lighting	LED	LED	LED
Defrost process refrigerator section	Frost-free	Frost-free	Frost-free
Number of shelves – refrigerator	3	3	3
Adjustable shelves – refrigerator	2	2	2
Shelf material – refrigerator	Tempered glass	Tempered glass	Tempered glass
Type of shelves – refrigerator	Spill-proof glass	Spill-proof glass	Spill-proof glass
Door storage bins	3	3	3
Humidity control drawer	1	1	1
Defrost process freezer section	Automatic	Automatic	Automatic
Number of drawers – freezer	3	2	3
Shelf material – freezer	Metal	Metal	Metal
Type of shelves – freezer	Wire	Wire	Wire
Ice maker	No	Yes	No
Capacity			
Total unit gross capacity (cu. ft.) – AHAM	11 cu. ft.	11 cu. ft.	10 cu. ft.
Refrigerator gross capacity (cu. ft.)	7.7 cu. ft.	7.7 cu. ft.	7.5 cu. ft.
Freezer gross capacity (cu. ft.)	3.3 cu. ft.	3.3 cu. ft.	2.5 cu. ft.
Technical Details			
Current (A)	15 A	15 A	10 A
Volts (V)	120 V	120 V	110 – 120 V
Frequency (Hz)	60 Hz	60 Hz	60 Hz
Power cord length (in.)	94"	94"	94"
Plug type	120V – 3 prong	120V – 3 prong	120V – 3 prong
Dimensions & Weight			
Appliance dimensions (HxWxD) (in.)	78 7/8" x 23 1/2" x 23 7/8"	78 7/8" x 23 1/2" x 23 7/8"	72 7/8" x 23 1/2" x 25 3/4"
Required cutout size (HxWxD) (in.)*	79 1/2" x 24" x 24"	79 1/2" x 24" x 24"	73 1/2" x 24 1/8" x 22"
Net weight (lbs)	181 lbs	181 lbs	203.9 lbs (191.8 W/B)
Efficiency			
ENERGY STAR® qualified	Yes	Yes	Yes
Energy consumption (kWh / yr)	357 kWh	357 kWh	435 kWh
Accessories – Included			
Included	Wine rack, ice tray, egg tray, bottle holder	Wine rack, ice tray, egg tray, bottle holder	Wine rack, ice tray, egg tray, bottle holder

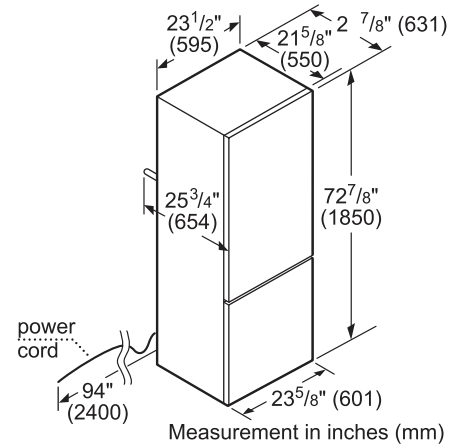
*Add 3/4" (1.9 cm) to the height dimension when leveling legs are fully extended

500 / 800 Series 24" Freestanding Bottom Freezer Refrigerators

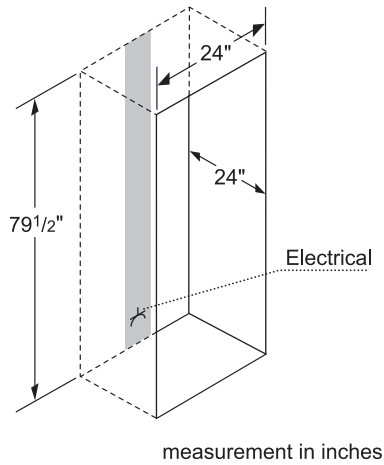
24" B11CB50SSS & B11CB81SSS Dimensions



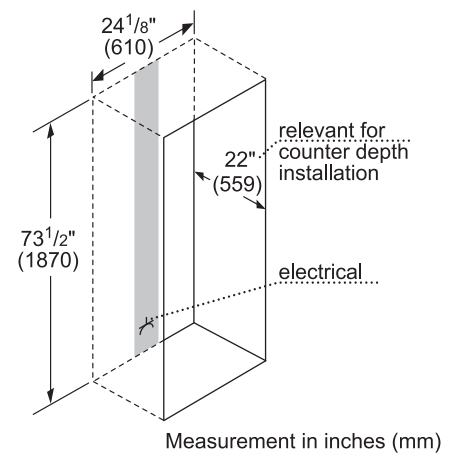
24" B10CB80NVS/W/B Dimensions



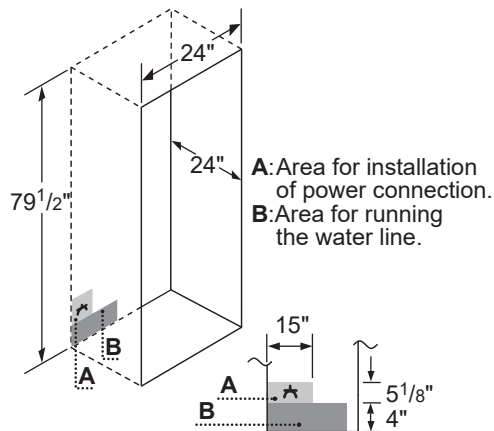
24" B11CB50SSS Installation



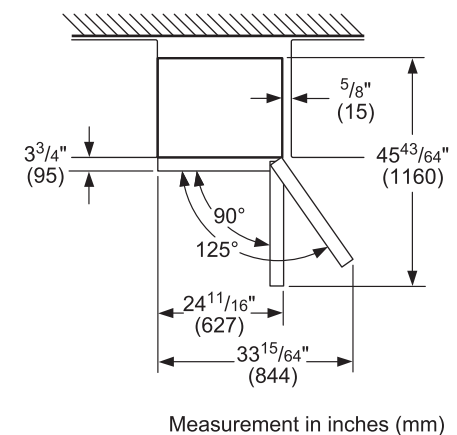
24" B10CB80NVS/W/B Installation



24" B11CB81SSS Installation



24" B10CB80NVS/W/B Overhead Views



800 Series Built-in Bottom Freezer Refrigerator



800 Series
B09IB81NSP
Built-in Bottom Freezer with Home Connect™

- 22" x 69 ³/₄"
- + Home Connect™
- Custom Panel Ready
- Installs Completely Flush
- Maintenance-free LED lighting
- + Vitafresh® Pro Drawer



800 Series – Built-in with Home Connect™

Custom Panel – B09IB81NSP

General Properties

Home Connect™ (WiFi enabled)	Yes
Reversible door hinge	Yes
Water filter	No
Lighting	Maintenance-free LED lighting
Defrost process refrigerator section	Frost-free
Number of shelves – refrigerator	5
Adjustable shelves – refrigerator	4
Shelf material – refrigerator	Glass w/metal trim
Type of shelves – refrigerator	4 adjustable, 1 varial shelf
Door storage bins	No
Humidity control drawer	Yes
Defrost process freezer section	Automatic
Number of drawers – freezer	3
Ice maker	No
Quick ice	No

Capacity

Total unit gross capacity (cu. ft.) – AHAM	9.6 cu. ft.
Refrigerator gross capacity (cu. ft.)	6.6 cu. ft.
Freezer gross capacity (cu. ft.)	3 cu. ft.

Technical Details

Watts (W)	90 W
Current (A)	10 A
Volts (V)	120 V
Frequency (Hz)	60 Hz
Power cord length (in.)	90"
Plug type	3-Prong

Dimensions & Weight

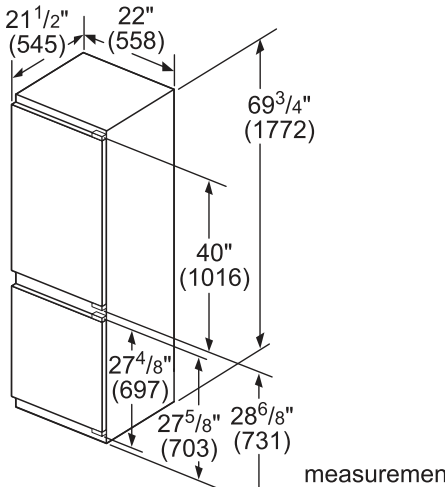
Appliance dimensions (HxWxD) (in.)	69 ³ / ₄ " x 22" x 21 ¹ / ₂ "
Required cutout size (HxWxD) (in.)	70" x 22 ¹ / ₄ " x 24 ³ / ₄ "
Net weight (lbs)	151 lbs

Efficiency

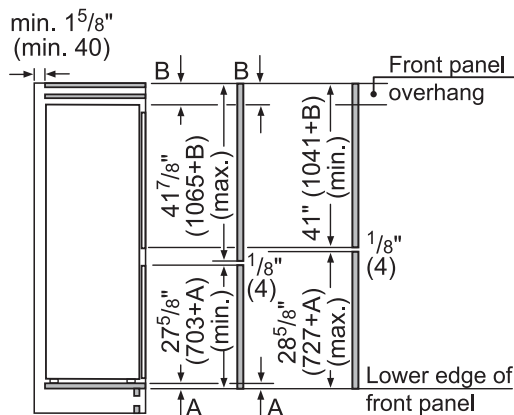
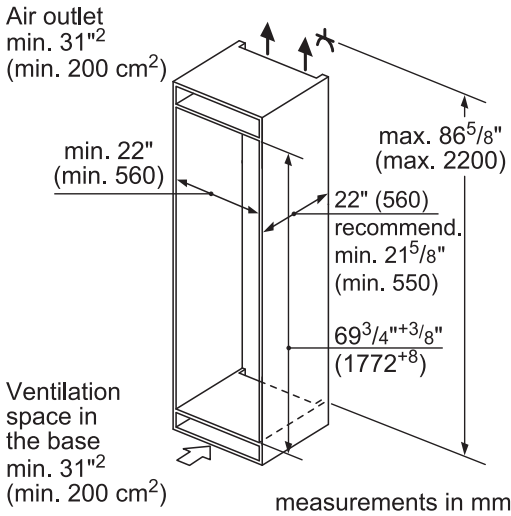
ENERGY STAR® qualified	Yes
Energy consumption (kWh / yr)	394 kWh

800 Series Built-in Bottom Freezer Refrigerator

B09IB81NSP Dimensions



B09IB81NSP Installation



The specified unit door dimensions are valid for a door gap of 1/8" (4 mm).

measurements in mm

800 Series Freestanding French Door Refrigerators



- 800 Series
B21CL80SNS
4-Door French Door**
- 35 3/4" x 69 7/8" Counter-Depth
 - 2-Drawer Freezer
 - Full-Width Chiller Drawer
 - Dual AirCool System
 - Retractable Half Shelf
 - Hidden Hinges
 - Humidity Controlled Crisper Drawers



- 800 Series
B21CL81SNS
4-Door French Door**
- 35 3/4" X 69 7/8" Counter-Depth
 - 2-Drawer Freezer
 - Full-Width Chiller Drawer
 - Dual AirCool System
 - Retractable Half Shelf
 - Hidden Hinges
 - Humidity Controlled Crisper Drawers

	36" Counter-Depth	36" Counter-Depth
	Stainless Steel – B21CL80SNS	Stainless Steel – B21CL81SNS
General Properties		
Lighting	LED	LED
Defrost process refrigerator section	Frost-free	Frost-free
Number of shelves – refrigerator	5	5
Adjustable shelves – refrigerator	4 half-width	4 half-width
Shelf material – refrigerator	Tempered glass	Tempered glass
Type of shelves – refrigerator	Tempered glass	Tempered glass
Gallon storage bins	5	5
Humidity control drawer	2	2
Defrost process freezer section	Automatic	Automatic
Number of drawers – freezer	2	2
Ice maker	Yes	Yes
Water filter	No	No
Capacity		
Total unit gross capacity (cu. ft.) – AHAM	20.7 cu. ft.	20.7 cu. ft.
Refrigerator gross capacity (cu. ft.)	14.7 cu. ft.	14.7 cu. ft.
Freezer gross capacity (cu. ft.)	6.0 cu. ft.	6.0 cu. ft.
Technical Details		
Current (A)	10 A	10 A
Volts (V)	120 V	120 V
Frequency (Hz)	60 Hz	60 Hz
Power cord length (in.)	67"	67"
Plug type	120V – 3 prong	120V – 3 prong
Dimensions & Weight		
Appliance dimensions (HxWxD) (in.)	69 7/8" x 35 3/4" x 28 3/4"	69 7/8" x 35 3/4" x 28 3/4"
Required cutout size (HxWxD) (in.)*	70" x 36" x 25"	70" x 36" x 25"
Net weight (lbs)	301.76 lbs	301.76 lbs
Efficiency		
Energy consumption (kWh / yr)	623 kWh	623 kWh
Accessories – Included		
Included	2 Egg trays, ice scoop, toe kick trim cover	2 Egg trays, ice scoop, toe kick trim cover

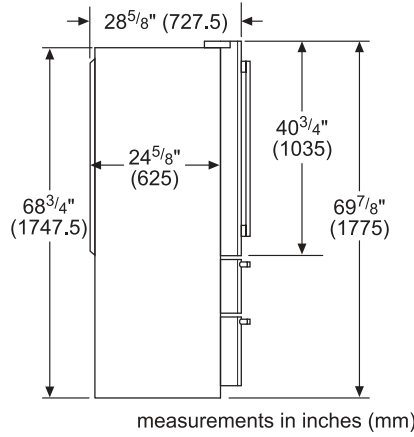
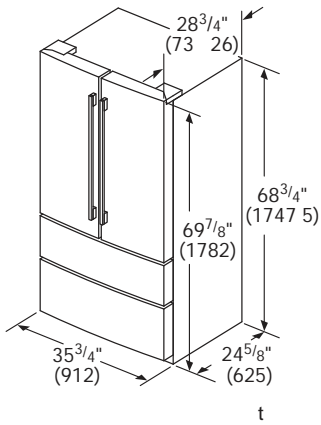
*Add 3/4" (1.9 cm) to the height dimension when leveling legs are fully extended

Optional Accessories

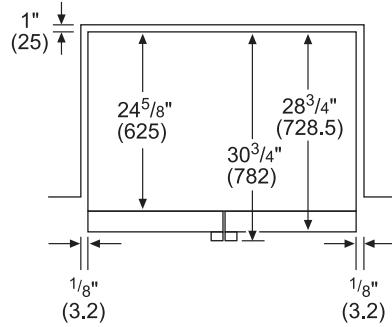
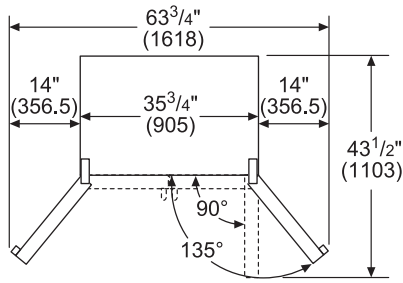
BOHANDL40
Pro-style stainless steel handle kit (P/N 00775143)

800 Series Freestanding French Door Refrigerators

Dimensions



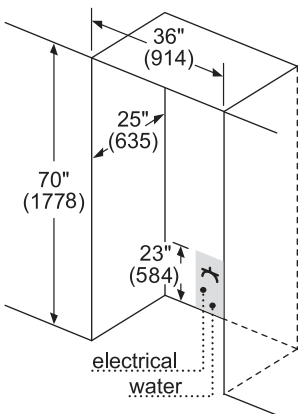
Dimensions (Overhead Views)



Drawers can be pulled out with door open 90°.
 Drawers can be taken out with door completely opened.

measurements in inches (mm)

Installation



Leave 1/2" (12.7 mm) gap at the top and 1" (25.4 mm) behind the refrigerator for proper ventilation.
 For installation next to a wall, leave 3 3/4" (95.2 mm) minimum on wall side for opening the door.
 It is recommended that you do not install the refrigerator near a heat source such as an oven or a range.
 Maximum receptacle and water line height 23" (584)

measurements in inches (mm)

800 Series Freestanding French Door Refrigerator



800 Series
B26FT80SNS
French Door

- 35 5/8" x 69 3/4" Standard-Depth
- VitaFresh® Food Preservation System
- MultiAirFlow™ Cooling System
- LED Lighting
- Quick Ice
- Stainless SteelTouch® Control Panel

36"

Stainless Steel – B26FT80SNS

General Properties

Water filter	Yes
Lighting	LED
Defrost process refrigerator section	Frost-free
Number of shelves – refrigerator	5
Adjustable shelves – refrigerator	4 half-width
Shelf material – refrigerator	Tempered glass
Type of shelves – refrigerator	Spill-proof glass
Gallon storage bins	2
Covered dairy bin	1
Humidity control drawer	2 VitaFresh®
Defrost process freezer section	Automatic
Number of drawers – freezer	2
Ice maker	Yes
Quick ice	Yes

Capacity

Total unit gross capacity (cu. ft.) – AHAM	24.8 cu. ft.
Refrigerator gross capacity (cu. ft.)	17.0 cu. ft.
Freezer gross capacity (cu. ft.)	7.8 cu. ft.

Technical Details

Current (A)	15 A
Volts (V)	120 V
Frequency (Hz)	60 Hz
Power cord length (in.)	62"
Plug type	120V – 3 prong

Dimensions & Weight

Appliance dimensions (H x W x D) (in.)	69 3/4" x 35 5/8" x 32 15/32"
Required cutout size (H x W x D) (in.)	69" x 36" x 30 1/8"
Net weight (lbs)	325 lbs

Efficiency

Energy consumption (kWh / yr)	744 kWh
-------------------------------	---------

Accessories – Included

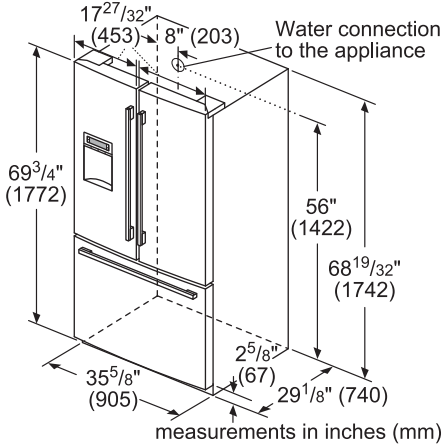
Included	Egg box with lid
----------	------------------

Optional Accessories

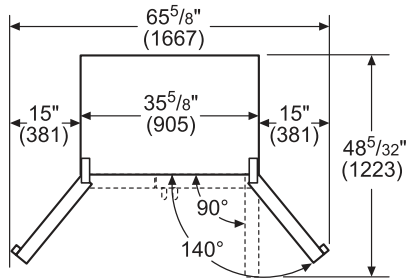
BORPLFTR10
Replacement water filter (P/N 00740570)

800 Series Freestanding French Door Refrigerator

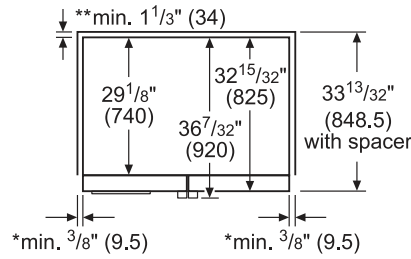
36" B26FT80SNS Dimensions



36" B26FT80SNS Dimensions (Overhead Views)



Drawers can be pulled out with door open 90°. Drawers can be taken out with door completely opened.



* If the appliance is placed next to a cooker, the distance at the sides must be at least 1".

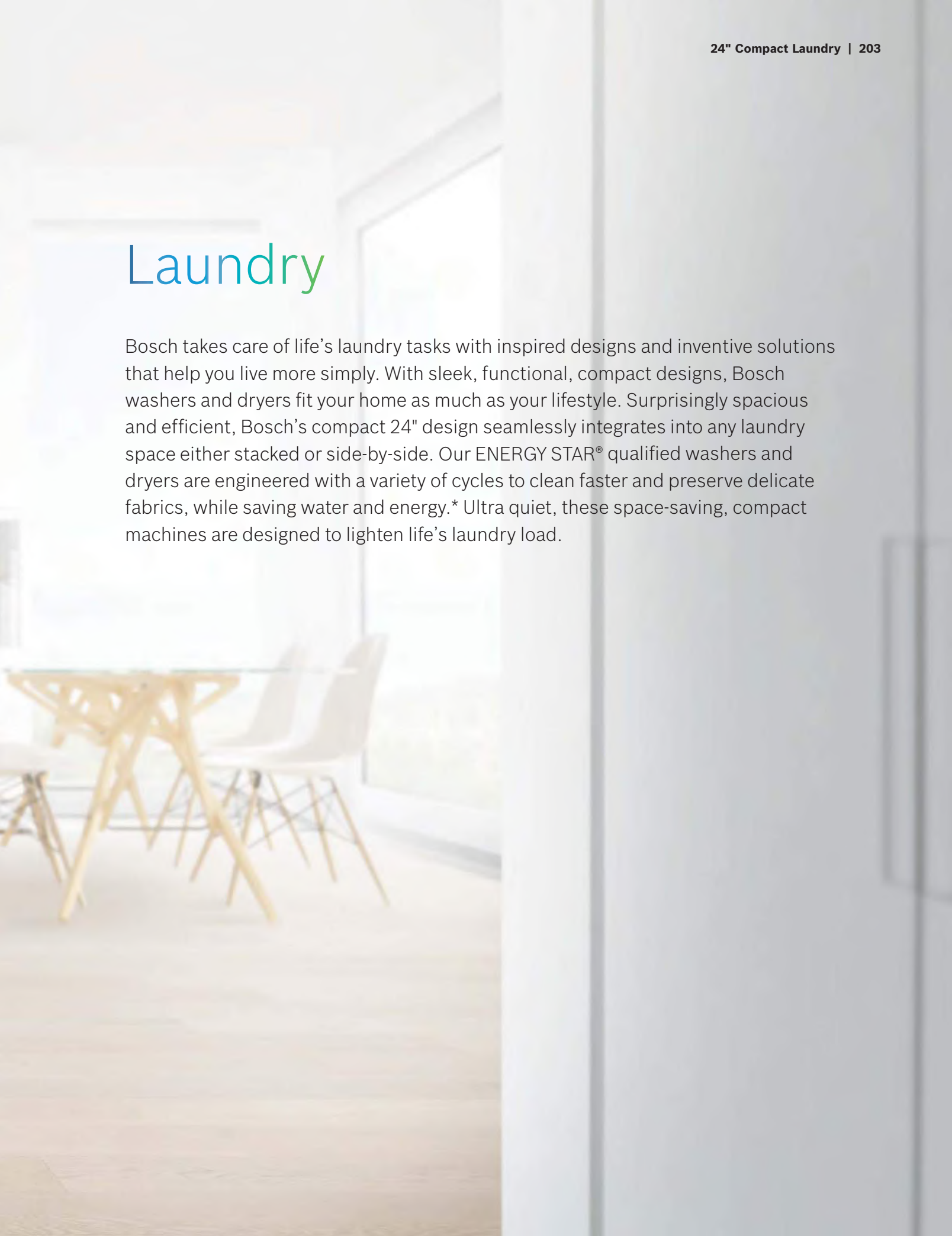
** The clearance in the back must include the space of the water connection.

measurements in inches (mm)



Laundry

Bosch takes care of life's laundry tasks with inspired designs and inventive solutions that help you live more simply. With sleek, functional, compact designs, Bosch washers and dryers fit your home as much as your lifestyle. Surprisingly spacious and efficient, Bosch's compact 24" design seamlessly integrates into any laundry space either stacked or side-by-side. Our ENERGY STAR® qualified washers and dryers are engineered with a variety of cycles to clean faster and preserve delicate fabrics, while saving water and energy.* Ultra quiet, these space-saving, compact machines are designed to lighten life's laundry load.



24" Compact Washers



300 Series
WAT28400UC

- SpeedPerfect® Provides Up to 40% Faster Washing Time*
- EcoSilence Motor Delivers Quiet, Efficient Performance
- Anti-vibration Circular Side Walls Reduce Vibration
- ENERGY STAR® Qualified



500 Series
WAT28401UC

- + AquaShield® Provides Protection Against Water Damage
- + Sanitize Cycle Heats Water to Kill Bacteria
- + Washes Up to 18 Towels in One Load
- + Lower Noise 52 / 72 dBA (Washing / Spinning)



800 Series
WAT28402UC

- + Wash 5 Men's Dress Shirts in Just 15 Minutes
- + AquaStop® Plus Provides Extra Protection Against Water Damage
- + Interior LED Light
- + Lowest Noise 50 / 71 dBA (Washing / Spinning)



+ Indicates a step-up feature

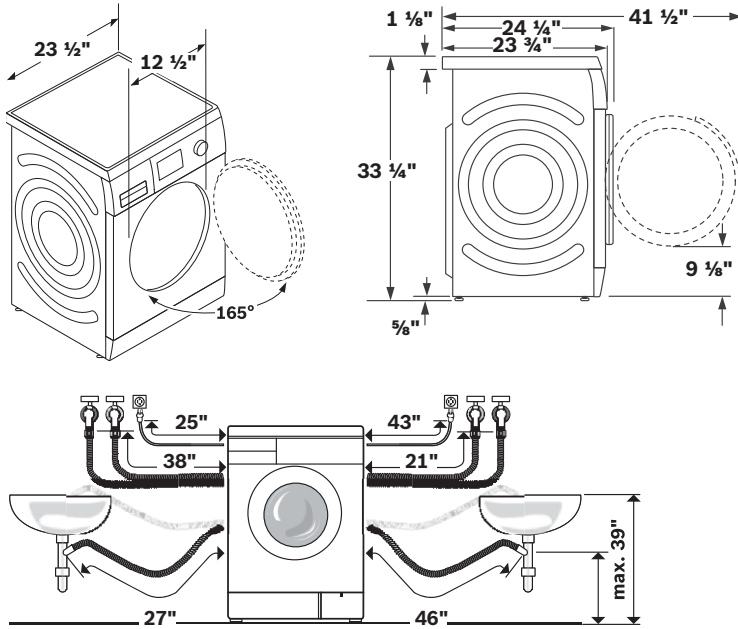
	300 Series	500 Series	800 Series
	White – WAT28400UC	White – WAT28401UC	White – WAT28402UC
General Properties			
Drum material	Stainless steel	Stainless steel	Stainless steel
Maximum spin speed (rpm)	1,400	1,400	1,400
Interior light	No	No	Yes (LED)
Leak protection systems	Reinforced hose	AquaShield® hose	AquaStop® Plus (AquaStop® base + AquaShield® hose)
Internal water heater	Yes	Yes	Yes
Stackable	Yes	Yes	Yes
Silence level – washing (dBA)	54	52	50
Silence level – spinning (dBA)	73	72	71
Programs (No.), [Special]	(15), [Allergen, Jeans, Heavy Duty]	(15), [Bulky / Large Items, Towels]	(15), [Super Quick 15, Whitest Whites]
Options (No.), [Special]	(6), [SpeedPerfect®, PreWash]	(6), [SpeedPerfect®, PreWash]	(6), [SpeedPerfect®, PreWash]
Energy consumption (kWh / yr)	84	84	84
Water consumption (gal / yr)	2,320	2,320	2,320
ENERGY STAR® qualified	Yes	Yes	Yes
Capacity			
Capacity (cu. ft.), (relative load)	2.2 (16 bath towels)	2.2 (18 bath towels)	2.2 (18 bath towels)
Design Elements			
Door ring	White	Silver	Chrome
Control type	Touch	Touch	Touch
Dial	White	Silver ring with white center	Chrome design, metal material
Bosch logo on door glass	No	Yes	Yes
Technical Details			
Watts (W)	2,300	2,300	2,300
Circuit breaker if plugged into an individual circuit (A)	20	20	20
Volts (V)	208 / 220 – 240	208 / 220 – 240	208 / 220 – 240
Current (A)	12	12	12
Frequency (Hz)	60	60	60
Plug type	240V; NEMA 6 – 15 (3 prong)	240V; NEMA 6 – 15 (3 prong)	240V; NEMA 6 – 15 (3 prong)
Included power cord length (in)	63" (Full length)	63" (Full length)	63" (Full length)
Drain / inlet hose length (in)	57" / 47" (Full length)	57" / 59" (Full length)	57" / 59" (Full length)
Door hinge	Left side (not reversible)	Left side (not reversible)	Left side (not reversible)
Dimensions & Weight			
Overall dimensions (HxWxD) (in)	33 1/4" x 23 1/2" x 24 1/4"	33 1/4" x 23 1/2" x 25"	33 1/4" x 23 1/2" x 25"
Net weight (lbs)	158	160	160
Minimum stack height (in)	67 3/4"	67 3/4"	67 3/4"
ADA compliance	Meets ADA height and access requirements <i>when installed on pedestal</i> . Meets ADA operable parts requirements for controls and detergent dispenser		

*As compared to Perm Press Heavy Soil cycle without SpeedPerfect

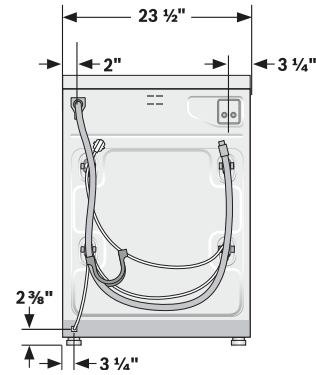
24" Compact Washers

300 Series Dimensions and Installation

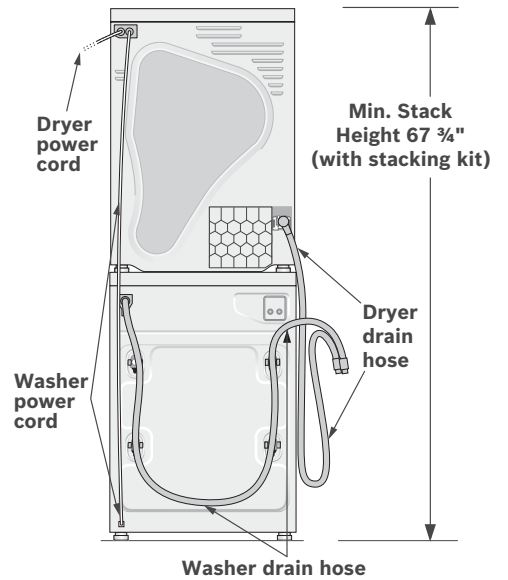
Dimensions in inches



300 Series, 500 Series and 800 Series

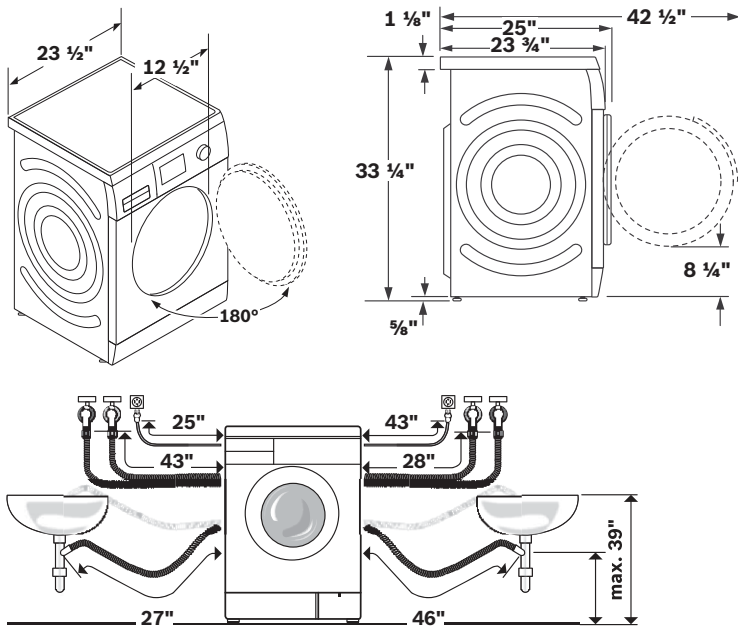


300 Series, 500 Series and 800 Series Washer plugged into the dryer

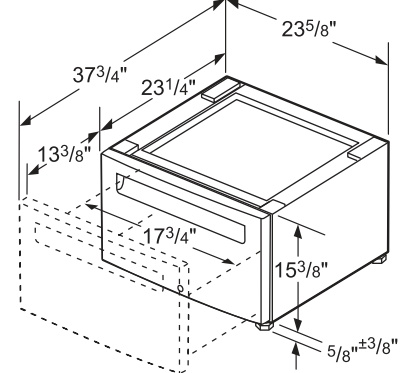


500 Series and 800 Series Dimensions and Installation

Dimensions in inches



Optional Pedestal



measurements in inches

Optional Accessories

WMZ20490
16" Pedestal (Washer)

P/N 645787 (500 & 800 Series)
Short Stainless Steel Hose (f Needed for Plumbing Box Clearance with AQS Hose)

NOTE: See page 208 for details on installing under counter or in a closet.

24" Compact Dryers



300 Series
WTG86400UC

- Washer Plugs into Dryer for Easy Installation
- Dries Up to 16 Towels in One Load
- Intelligent Sensors Prevent Over Drying
- Anti-vibration Circular Side Walls Reduce Vibration
- Low Noise 67 dBA



500 Series
WTG86401UC

- + Reversible Door
- + Stainless Steel Drum
- + Dries Up to 18 Towels in One Load
- + ENERGY STAR® Qualified
- + Lower Noise 65 dBA
- + Bulky / Large Items Cycle



800 Series
WTG86402UC

- + SuperQuick 15 Minute Cycle
- + Chrome Dial and Door Trim Design
- + Interior LED Light
- + Lowest Noise 63 dBA
- + AntiShrink Cycle



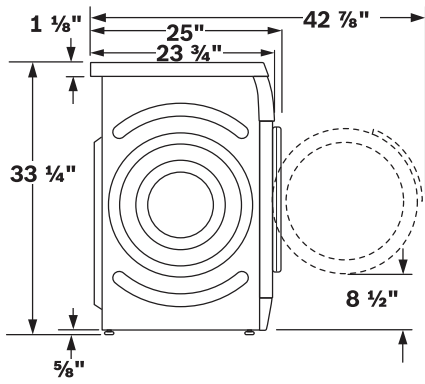
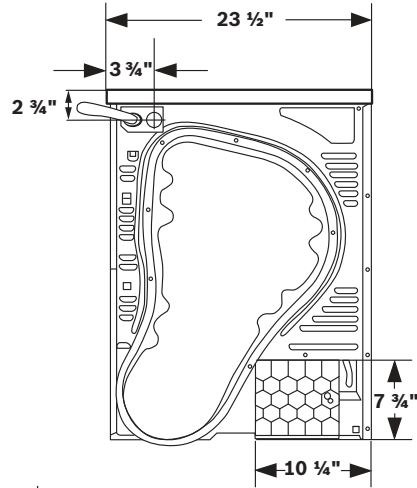
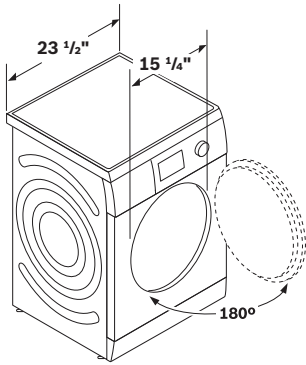
+ Indicates a step-up feature

	300 Series	500 Series	800 Series
	White – WTG86400UC	White – WTG86401UC	White – WTG86402UC
General Properties			
Dryer type	Condensing	Condensing	Condensing
Drum material	Galvalume	Stainless steel	Stainless steel
Interior light	No	No	Yes (LED)
Ventless drying (no ducting)	Yes	Yes	Yes
Stackable	Yes	Yes	Yes
Silence level (dBA)	67	65	63
Programs (No.), [Special]	(15), [Jeans, Heavy Duty]	(15), [Bulky / Large Items, Towels]	(15), [Super Quick 15, Anti Shrink]
Options (No.), [Special]	(6), [Dry Level, Finished In]	(6), [Dry Level, Finished In]	(6), [Dry Level, Finished In]
Energy consumption (kWh / yr)	320	311	311
ENERGY STAR® qualified	No	Yes	Yes
Capacity			
Capacity (cu. ft.)	4.0	4.0	4.0
Relative load	16 bath towels	18 bath towels	18 bath towels
Design Elements			
Door ring	White	Silver	Chrome
Control type	Touch	Touch	Touch
Dial	White	Silver ring with white center	Chrome design, metal material
Bosch logo on door glass	No	Yes	Yes
Technical Details			
Energy source	Electric	Electric	Electric
Watts (W)	2,800	2,800	2,800
Circuit breaker (A)	30	30	30
Volts (V)	208 / 220 – 240	208 / 220 – 240	208 / 220 – 240
Current (A)	13	13	13
Frequency (Hz)	60	60	60
Plug type	240V; NEMA 14 – 30 (4 prong)	240V; NEMA 14 – 30 (4 prong)	240V; NEMA 14 – 30 (4 prong)
Included power cord length (in)	63" (full length)	63" (full length)	63" (full length)
Drain hose length (in)	78" (full length)	78" (full length)	78" (full length)
Door hinge	Right side (not reversible)	Right side (reversible)	Right side (reversible)
Dimensions & Weight			
Overall dimensions (HxWxD) (in)	33 1/4" x 23 1/2" x 25"	33 1/4" x 23 1/2" x 25"	33 1/4" x 23 1/2" x 25"
Net weight (lbs)	99	99	99
Minimum stack height (in)	67 3/4"	67 3/4"	67 3/4"
ADA compliance	Meets ADA height and access requirements <i>when installed on pedestal</i> . Meets ADA operable parts requirements for controls and lint filter.		

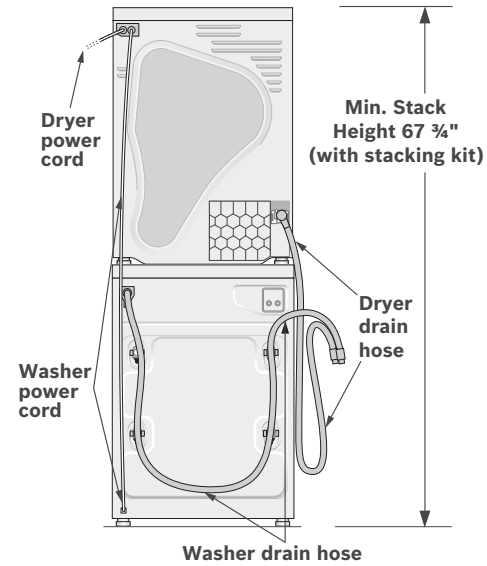
24" Compact Dryers

Dryer Dimensions

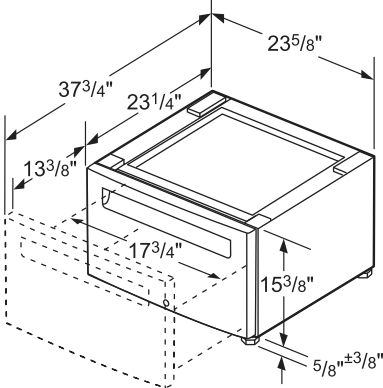
Dimensions in inches



Washer plugged into the dryer



Optional Pedestal



NOTE: See page 208 for details on installing under counter or in a closet.

Optional Accessories

WMZ20500
16" Pedestal (Dryer)

WTZ20410
Stationary Stacking Kit

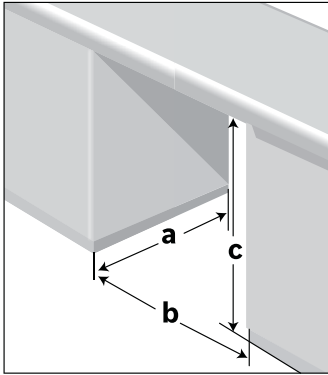
WTZ11400
Stacking Kit with Pull Out Tray

WMZ20600
Drying Rack

24" Washers and Dryers Installed in Enclosure

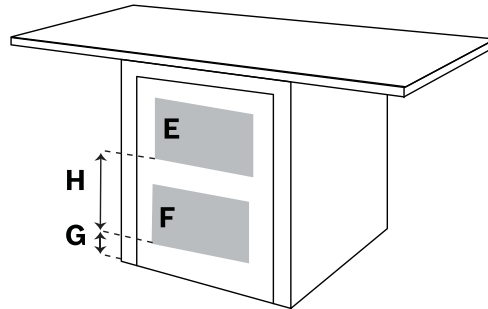
Enclosure Dimensions

Under Counter: (Preferred)



Front of the appliance fully open. No doors or coverings.

Under Counter: (Less Preferred)



If the front of the appliance is covered, ventilation openings must be installed as shown and front/rear clearances adhered to according to closet installations.

Minimum opening dimensions

a	28 in.
b	23 7/8 in.
c	34 1/2 in.

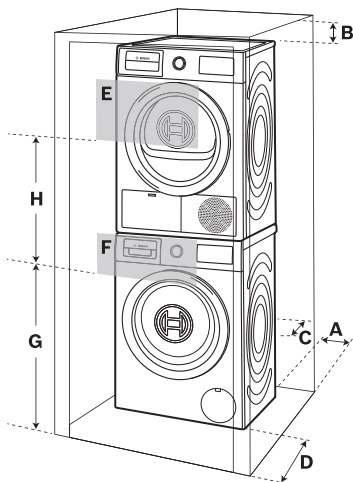
E & F are minimum area sizes

E	63 sq. in.
F	63 sq. in.

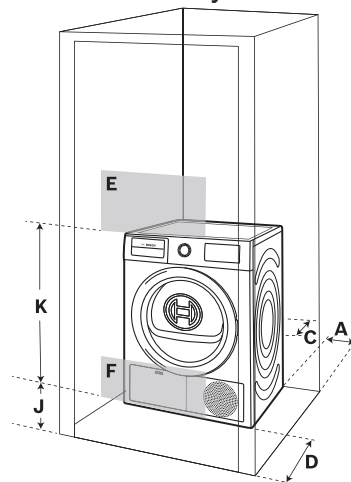
G & H actual spacing dimensions for min. open area sizes

G	3 in.
H	14 in.

Closet: Stacked



Closet: Stand Alone (shown) or Side by Side



Clearance requirements (Minimum)

A Both Sides	5/8 in.
B Top	6 1/4 in.
C Rear	2 1/2 in.
D Front	2 1/2 in.

Ventilation Area (Minimum)

E Top	63 sq. in.
F Bottom	63 sq. in.

Vent Spacing

G	37 in.
H	26 in.
J	3 in.
K	29 in.

Enclosure Dimensions

Warranty

Cooktops

Limited warranty, entire appliance, parts and labor (1 year)

Ovens

Limited warranty, entire appliance, parts and labor (1 year)

Microwaves

Limited warranty, entire appliance, parts and labor (1 year)

Built-in Coffee Machine

Limited warranty, entire appliance, parts and labor (1 year)

Ranges

Limited warranty, entire appliance, parts and labor (1 year)

Ventilation

Limited warranty, entire appliance, parts and labor (1 year)

Dishwashers

Limited warranty, entire appliance, parts and labor (1 year)

Limited warranty for microprocessor or printed circuit board; parts only (2nd to 5th year)

Limited warranty for racks (does not include rack components); parts only (2nd to 5th year)

Limited warranty for rust-through on inner tub liner; parts only (lifetime)

Refrigeration

Limited warranty, entire appliance, parts and labor (1 year)

Limited warranty for non-electronic components; parts only (1st to 2nd year)

Limited warranty for electronic components; parts only (2nd to 5th year)

Limited warranty for rust-through on stainless steel; parts only (lifetime)

24" Compact Laundry

Limited warranty, entire appliance, parts and labor (1 year)

Washing Machines

Extended limited warranty on drive motor from date of purchase (2 years)

Dryers

Extended limited warranty from date of purchase (2 years)

Bosch will repair or replace, free of charge, any printed circuit boards, drive motor or component part of the drive motor that proves defective under conditions of normal home use during the first two years from the date of purchase, labor charges excluded.

Warranty Note: Bosch warrants that the Product is free from defects in materials and workmanship for a period of three hundred and sixty-five (365) days from the date of purchase. The foregoing timeline begins to run upon the date of purchase, and shall not be stalled, tolled, extended, or suspended, for any reason whatsoever. This Product is also warranted to be free from cosmetic defects in material and workmanship (such as scratches of stainless steel, paint/porcelain blemishes, chips, dents, or other damage to the finish of the Product, for a period of thirty (30) days from the date of purchase or closing date for new construction. This cosmetic warranty excludes slight color variations due to inherent differences in painted and porcelain parts, as well as differences caused by kitchen lighting, product location, or other similar factors. This cosmetic warranty specifically excludes any display, floor, "As Is", or "B" stock appliances.

Experience Bosch®.






Bosch appliances are built with precision German engineering and invented for life. Whether you would like to research our products, get inspired with kitchen design ideas, or have questions on the use and care of your product, simply browse our online resource library at bosch-home.com/us.

Get inspired. Start planning your dream kitchen today.

Visit the App Store® or Google Play™ to download our Kitchen Experience and Design Guide app.



Connect with us

-  [instagram.com/boschhomeus](https://www.instagram.com/boschhomeus)
-  [facebook.com/boschappliances](https://www.facebook.com/boschappliances)
-  [youtube.com/boschhome](https://www.youtube.com/boschhome)
-  twitter.com/boschappliances
-  [pinterest.com/boschhomeus](https://www.pinterest.com/boschhomeus)

Visit the above sites to get inspired and share photos of your new kitchen.



Perfection you might have to see to believe.

Come visit us at any of our beautiful showroom locations:

- > California: Irvine
- > New York: New York City

Get complete details at bosch-home.com/us.



Apple and the Apple logo are trademarks of Apple Inc., registered in the U.S. and other countries. App Store is a service mark of Apple Inc. Google Play and the Google Play logo are trademarks of Google Inc.

Service you can trust 100%.

The Bosch Customer Support Team is ready to help. Please don't hesitate to contact us if you have questions on our product line, need advice about use and care, or would like to purchase accessories. We are ready to assist you.

Website

- > How-to Videos
- > Frequently Asked Questions
- > Filters, Accessories and Parts
- > Owner Manuals
- > Product Registration
- > Find a Dealer
- > Find a Bosch Authorized Servicer

Bosch Home Appliances US:
www.bosch-home.com/us

Bosch Home Appliances Canada:
www.bosch-home.ca

Phone

- > 24-Hour Call Center Access
- > English, French, Spanish

1-800-944-2904

Warranty

- > Lifetime Stainless Steel Rust-through Warranty for Dishwashers and Refrigerators
- > One-year Limited Warranty on all Bosch Appliances
- > See page 209 for additional warranty information

Important Note: Please refer to installation instructions prior to making cutout. BSH reserves the absolute and unrestricted right to change product materials and specifications, at any time, without notice. Consult the product's installation instructions for final dimensional data and other details. Applicable product warranty can be found in accompanying product literature or you may contact your account manager for further details. For more information on our entire line of products, go to www.bosch-home.com/us or call 1-800-944-2904.



Bosch Home Appliances
1901 Main Street, Suite 600
Irvine, CA 92614
1.800.944.2904

www.bosch-home.com/us (U.S.)
www.bosch-home.ca (Canada)

BSH reserves the absolute and unrestricted right to change product materials and specifications, at any time, without notice. Consult the product's installation instructions for final dimensional data and other details. Applicable product warranty can be found in accompanying product literature or you may contact your account manager for further details.

©2017 BSH Home Appliances Corporation.
All rights reserved. Bosch is a registered trademark of Robert Bosch GmbH.